

2019 版



扫一扫！了解鸿祥

乐清市鸿祥连接器制造有限公司

Yueqing Hongxiang Connector Manufacturing Co., Ltd.

浙江省乐清市柳市镇象阳工业区深河创业园 A 幢
ADD: Building A, Shenghe Pioneer Park, Xiangyang Industrial Zone, Liushi Town, Yueqing, Wenzhou City, Zhejiang Province, China

Sales calls

Tel: +86-577-6262 8623 | Email: sales@hxljq.net
www.hxljq.net

国内销售电话

Tel: 0577-6262 8622 | 0577-6161 6088
www.cnhongxiang.cn



4006-818-622




Hoonsun

Fifteen years for only one thing!

电线电缆连接器专业制造商

Always Pursue
Fine Quality



 **4006-818-622**

 **PRODUCT CATALOG 产品选型手册**

乐清市鸿祥连接器制造有限公司



Hoonsun

Fifteen years for only one thing!



CE



ROHS

SGS



IP68

IATF16949

www.hxljq.net

Perfect Every

Cable Gland With Innovation

将电缆接头做到创新 / 精进





Hoonsun

Fifteen years for only one thing!

15 YEARS

企业使命 将防水行业做到精进创新!

2006

乐清市鸿祥连接器制造有限公司成立，主要生产防水黄铜电缆密封套

Yueqing Hongxiang Connector Manufacturing Co.,Ltd. mainly produces waterproof brass cable gland

2008

工厂搬迁新厂，车间面积达到 2000 平方

Factory relocated, new workshop area reached 2000m²

2009

公司引进数控设备和自动计量机，它正在引导公司进行自动化生产技术

Company introduced numerical control equipment and automatic counting machine, which are guiding the company to automated production technology

2010

公司开发了电缆封套新设计，并申请专利，专利号 z1201020530888.7

The company has developed a new design of cable seal, and applied for patent, patent number z1201020530888.7.





2011

本公司荣幸成为辽宁省“航空母舰”专用防水接头供应商，产品高质量被认可走向世界

Our company was honored to be the supplier of special waterproof cable gland for the Aircraft Carrier "Liaoning", and our high quality of products have been recognized and export to the global

2013

公司专注与研发并推出多种新产品，从事不锈钢 尼龙 黄铜等各种材料。生产转换更多元化解决不同的供应需求

Company focused on research and develop various of new products, stainless steel, nylon, brass and other materials. Diversified production meet different requirements

2016

公司员工扩至 80 人，业务核心走向国际

The staff of company expanded to 50-100, and core business focus turned to foreign trade gradually

2018

公司二次搬迁，商标升级，获得各个知名认证，整体形象更加鲜明国际化

Company relocated again, new brand, appearance is more bright and international

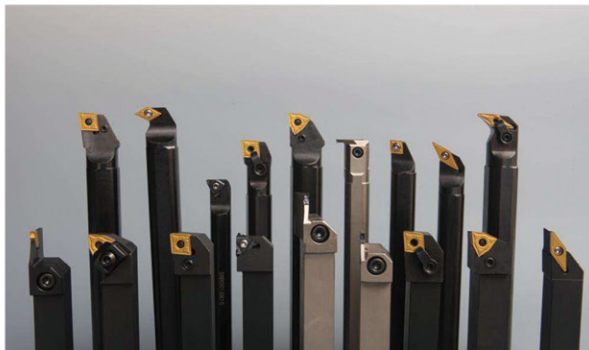
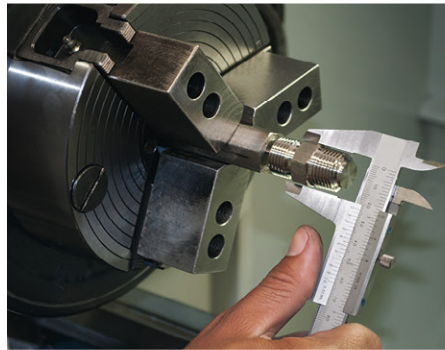
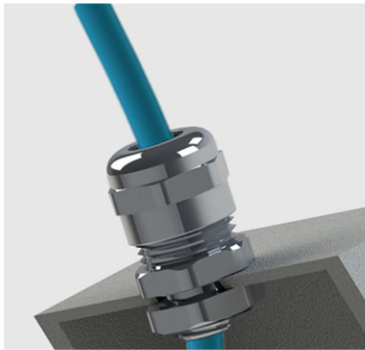




产品定制

精密刀具设计制作能力
为客户定制精密金属产品

Be capable of design and production of precision cutting tools.
Metal products could be Customized with High-Precision.



管理体系



客户第一，客户是衣食父母 及时为客户解决问题
追求品质，只有不完美的产品，没有挑剔的客户
乐观积极，碰到困难和挫折的时候永不放弃，不断自我激励

Customer first, the customer is the food and clothing parents to solve the
problem in time.
The pursuit of quality, only imperfect products, no critical customers.
Be optimistic and positive, never give up when encountering difficulties and
setbacks, and constantly motivate yourself.



检查中心



先进的检测设备

鸿祥产品检验遵循德国 DIN、VDE 标准和美国 UL 标准
产品符合欧洲最新 EN 标准和 ATEX 标准

Advanced detection equipment

The cable gland test of Hoonsun follows the Germany standard of DIN,
VDE and America standard of UL.
Meet European newest standard of EN and ATEX.



PRODUCT CATALOG

产品目录

如履薄冰！永不懈怠！永远比竞争对手快半步！
业精于勤，荒于嬉；行成于思，毁于随！

Tread on thin ice! Never slack off! Always faster than the competition!
Be diligent in business, wild in the hip; To think, to ruin!



金属电缆接头系列
Metal Cable Gland Series

01-13



不锈钢电缆接头系列
Stainless Steel Cable Gland Series

14-16



特殊功能电缆接头系列
Special Function Cable Gland Series

17-21



尼龙电缆接头系列
Nylon Cable Gland Series

22-26



Hoonsun
Fifteen years for only one thing!



填料函系列
Marine Cable Gland Series

27-29



危险场所用接头系列 **30-35**
Explosion-proof & Armoured
Cable Gland Series



软管接头系列
Metal Hose Fitting Series

36-43



配套附件
Other Matched Accessories

44-70

金属电缆接头

Metal Cable Gland

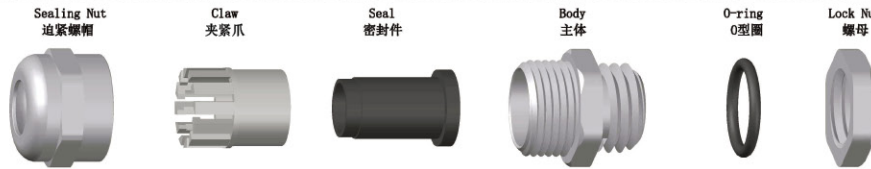
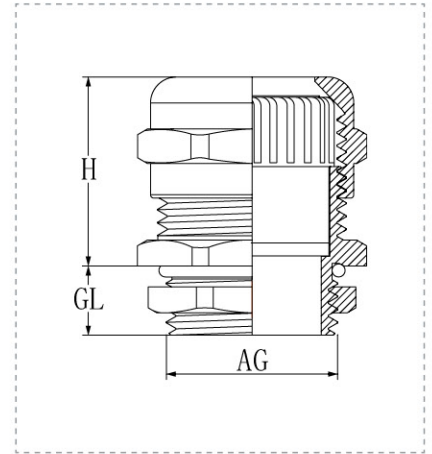


M

CE ROHS IP68 REACH

材质: 镀镍黄铜
 夹紧件: 采用尼龙塑料 PA66, UL94-V2
 密封件: 丁腈橡胶、硅橡胶
 防水圈: 丁腈橡胶、硅橡胶
 防水等级: IP68-10 巴压力
 工作温度: 静态: -40°C到 100°C, 短时间达 120°C
 动态: -20°C到 80°C, 短时间达 100°C

Material: Nickel-plated brass
 Claw: PA66 (Nylon), UL94-V2
 Hermetic seal: NBR, Silicone rubber
 O-Ring: NBR, Silicone rubber
 Protection degree: IP68-10 bar
 Temperature: Static state: -40 °C to 100 °C, Short time to 120 °C ;Dynamic state: -20 °C to 80 °C, Short time to 100 °C



专利产品 patented product

规格参数 单位: mm

规格 Item	适用范围 Φ Range	螺纹长度 GL Thread Length	螺纹外径 AG Thread O.D.	接合长度 H Joint Length	扳手径 Spanner size	产品编号 Code
M8×1	2-5	5	8.0	13.5	12	HX-NPM8
M10×1	3-6.5	6.5	10.0	17	14	HX-NPM10
M12×1.5	3-6.5	6.5	12.0	17	14	HX-NPM12
M14×1.5	4-8	8	14.0	18	17	HX-NPM14
M16×1.5	4-8	8	16.0	19	18	HX-NPM16
M18×1.5	5-10	8	18.0	20	20	HX-NPM18
M20×1.5	6-12	8	20.0	21	22	HX-NPM20
M22×1.5	10-14	8	22.0	22	24	HX-NPM22
M24×1.5	10-14	9	24.0	22	24/27	HX-NPM24
M25×1.5	10-14	9	25.0	22	24/27	HX-NPM25-14
M25×1.5	11-16	9	25.0	25	27	HX-NPM25-16
M25×1.5	13-18	9	25.0	27	30/27	HX-NPM25-18
M27×1.5	13-18	9	27.0	27	30	HX-NPM27
M30×2	13-18	9	30.0	27	30/32	HX-NPM30
M32×1.5	15-22	10	32.0	29	35	HX-NPM32
M33×2	15-22	10	33.0	29	35/36	HX-NPM33
M36×1.5	18-25	10	36.0	31	40	HX-NPM36
M37×1.5	18-25	10	37.0	31	40	HX-NPM37
M40×1.5	18-25	11	40.0	31	40/45	HX-NPM40-25
M40×1.5	22-30	11	40.0	35	45	HX-NPM40-30
M47×1.5	25-33	11	47.0	37	50	HX-NPM47
M50×1.5	32-38	13	50.0	37	57/55	HX-NPM50
M60×1.5	37-44	14	60.0	38	64	HX-NPM60
M63×1.5	37-44	14	63.0	38	64/68	HX-NPM63



金属电缆接头系列 Metal Cable Gland Series

金属超大型电缆接头

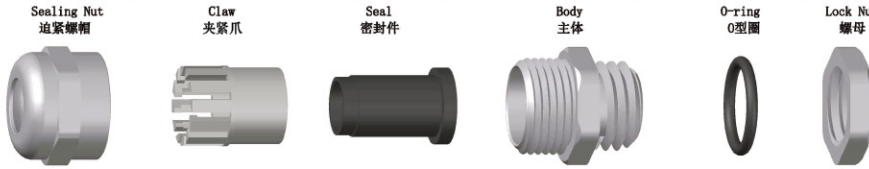
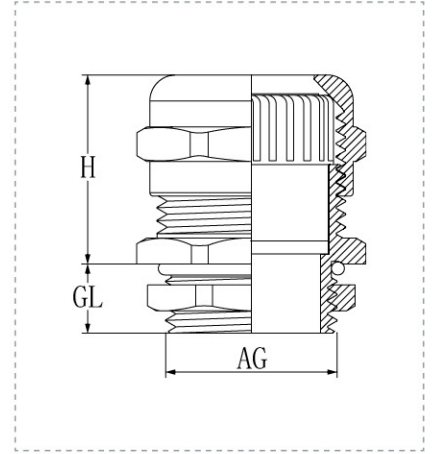
Metal Cable Gland - Super large Type

M

CE ROHS IP68 REACH

材质: 镀镍黄铜
 夹紧件: 采用尼龙塑料 PA66, UL94-V2
 密封件: 丁腈橡胶、硅橡胶
 防水圈: 丁腈橡胶、硅橡胶
 防水等级: IP68-10 巴压力
 工作温度: 静态: -40℃到 100℃, 短时间达 120℃
 动态: -20℃到 80℃, 短时间达 100℃

Material: Nickel-plated brass
 Claw: PA66 (Nylon), UL94-V2
 Hermetic seal: NBR、Silicone rubber
 O-Ring: NBR、Silicone rubber
 Protection degree: IP68-10 bar
 Temperature: Static state: -40℃ to 100℃, Short time to 120℃; Dynamic state: -20℃ to 80℃, Short time to 100℃



规格参数 单位: mm

专利产品 patented product

规格 Item	适用范围 Φ Range	螺纹长度 GL Thread Length	螺纹外径 AG Thread O.D.	接合长度 H Joint Length	扳手径 Spanner size	产品编号 Code
M64×2	37-44	14	64.0	38	64/68	HX-NPM64
M70×2	42-52	16	70.0	44	78	HX-NPM70
M72×2	42-52	16	72.0	44	78	HX-NPM72
M72×2	48-58	16	72.0	44	78	HX-NPM72-58
M75×2	42-52	16	75.0	44	78/80	HX-NPM75
M75×2	48-58	16	75.0	44	78/80	HX-NPM75-58
M80×2	55-62	18	80.0	45	88	HX-NPM80
M88×2	65-70	18	88.0	45	94	HX-NPM88
M100×2	78-84	20	100.0	53	110	HX-NPM100
M120×2	78-84	20	120	53	110/130	HX-NPM120



金属电缆接头系列
Metal Cable Gland Series

金属大线径电缆接头

Metal Cable Gland- Large Range Type

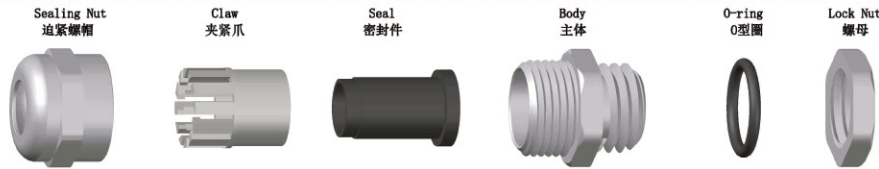
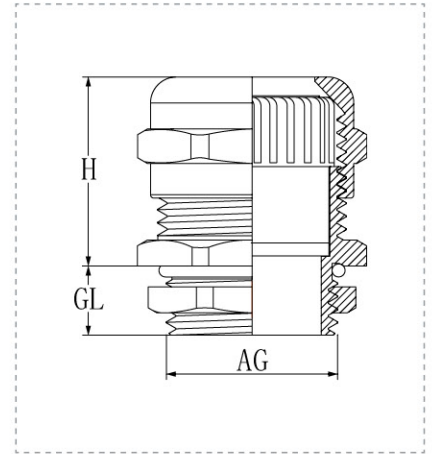


M / PG

CE ROHS IP68 REACH

材质: 镀镍黄铜
 夹紧件: 采用尼龙塑料 PA66, UL94-V2
 密封件: 丁腈橡胶、硅橡胶
 防水圈: 丁腈橡胶、硅橡胶
 防水等级: IP68-10 巴压力
 工作温度: 静态: -40℃到 100℃, 短时间达 120℃
 动态: -20℃到 80℃, 短时间达 100℃

Material: Nickel-plated brass
 Claw: PA66 (Nylon), UL94-V2
 Hermetic seal: NBR, Silicone rubber
 O-Ring: NBR, Silicone rubber
 Protection degree: IP68-10 bar
 Temperature: Static state: -40 °C to 100 °C, Short time to 120 °C ;Dynamic state: -20 °C to 80 °C, Short time to 100 °C



专利产品 patented product

规格参数 单位: mm

规格 Item	适用范围 Φ Range	螺纹长度 GL Thread Length	螺纹外径 AG Thread O.D.	接合长度 H Joint Length	扳手径 Spanner size	产品编号 Code
M12×1.5	4-8	8	12.0	17	17/14	HX-NPM12-8
M14×1.5	5-10	8	14.0	20	20/17	HX-NPM14-10
M16×1.5	5-10	8	16.0	20	20/18	HX-NPM16-10
M18×1.5	6-12	8	18.0	21	22/20	HX-NPM18-12
M20×1.5	10-14	8	20.0	22	24/22	HX-NPM20-12
M22×1.5	12-16	8	22.0	27	27/24	HX-NPM22-16
M24×1.5	12-16	9	24.0	27	27	HX-NPM24-16
M25×1.5	13-18	9	25.0	27	30/27	HX-NPM25-18
M30×2	15-22	9	30.0	27	35/32	HX-NPM30-22
M32×1.5	18-25	10	32.0	31	40/35	HX-NPM32-25
M40×1.5	25-33	11	40.0	37	50/45	HX-NPM40-33
M50×1.5	37-44	14	50.0	38	64/55	HX-NPM50-44
M63×1.5	42-52	14	63.0	38	78/68	HX-NPM63-52
M72×2	55-62	18	72	45	88/78	HX-NPM72-62
PG7	4-8	6.5	12.5	17	17/15	HX-NPPG7-8
PG9	5-10	8	15.2	19	20/18	HX-NPPG9-10
PG11	6-12	8	18.6	21	22/21	HX-NPPG11-12
PG13.5	10-14	8	20.4	22	24/23	HX-NPPG13.5-14
PG16	13-18	8	22.5	23	30/25	HX-NPPG16-18
PG21	15-22	9	28.3	27	35/30	HX-NPPG21-22
PG29	22-30	10	37.0	31	45/40	HX-NPPG29-30
PG36	32-38	11	47.0	37	57/50	HX-NPPG36-38
PG42	37-44	13	54.0	37	64/57	HX-NPPG42-44
PG48	42-52	14	59.3	38	78/64	HX-NPPG48-52



金属电缆接头系列 Metal Cable Gland Series

金属加厚型电缆接头

Metal Cable Gland-Small Range Type

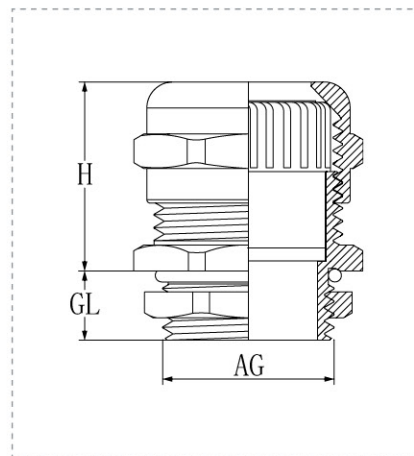


M

CE ROHS IP68 REACH

材质: 镀镍黄铜
 夹紧件: 采用尼龙塑料 PA66, UL94-V2
 密封件: 丁腈橡胶、硅橡胶
 防水圈: 丁腈橡胶、硅橡胶
 防水等级: IP68-10 巴压力
 工作温度: 静态: -40℃到 100℃, 短时间达 120℃
 动态: -20℃到 80℃, 短时间达 100℃

Material: Nickel-plated brass
 Claw: PA66 (Nylon), UL94-V2
 Hermetic seal: NBR、Silicone rubber
 O-Ring: NBR、Silicone rubber
 Protection degree: IP68-10 bar
 Temperature: Static state: -40℃ to 100℃, Short time to 120℃; Dynamic state: -20℃ to 80℃, Short time to 100℃



专利产品 patented product

规格参数 单位: mm

规格 Item	适用范围 Φ Range	螺纹长度 GL Thread Length	螺纹外径 AG Thread O.D.	接合长度 H Joint Length	扳手径 Spanner size	产品编号 Code
M10×1	2-5	6.5	10.0	17	14	HX-NPM10-5
M12×1.5	2-5	6.5	12.0	17	14	HX-NPM12-5
M14×1.5	3-6	8	14.0	18	17	HX-NPM14-6
M16×1.5	3-6	8	16.0	19	18	HX-NPM16-6
M18×1.5	3-7	8	18.0	20	20	HX-NPM18-7
M20×1.5	5-10	8	20.0	21	22	HX-NPM20-10
M22×1.5	8-12	8	22.0	22	24	HX-NPM22-12
M24×1.5	8-12	9	24.0	22	24/27	HX-NPM24-12
M25×1.5	8-12	9	25.0	22	24/27	HX-NPM25-12
M27×1.5	12-16	9	27.0	27	30	HX-NPM27-16
M30×2	12-16	9	30.0	27	30/32	HX-NPM30-16
M32×1.5	13-18	10	32.0	29	35	HX-NPM32-18
M33×2	14-20	10	33.0	29	35/36	HX-NPM33-20
M36×1.5	13-18	10	36.0	31	40	HX-NPM36-18
M36×1.5	15-22	10	36.0	31	40	HX-NPM36-22
M40×1.5	18-25	11	40.0	31	40/45	HX-NPM40-25
M47×1.5	23-30	11	47.0	37	50	HX-NPM47-30
M48×2	23-30	11	48.0	37	50/52	HX-NPM48-30
M50×1.5	30-35	13	50.0	37	57/55	HX-NPM50-35
M60×1.5	35-40	14	60.0	38	64	HX-NPM60-40
M63×1.5	35-40	14	63.0	38	64/68	HX-NPM63-40

可选择 PG/G/NPT 螺纹定制
 Customizable PG/G/NPT thread



金属电缆接头系列 Metal Cable Gland Series

金属电缆接头

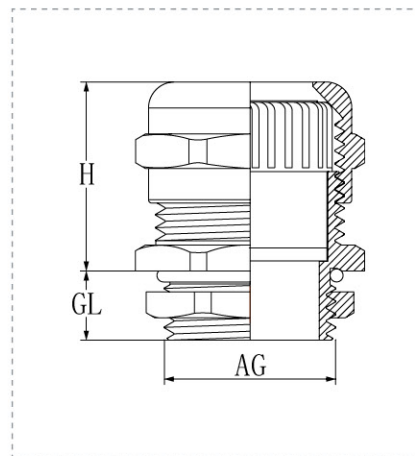
Metal Cable Gland

PG

CE ROHS IP68 REACH

材质: 镀镍黄铜
 夹紧件: 采用尼龙塑料 PA66, UL94-V2
 密封件: 丁腈橡胶、硅橡胶
 防水圈: 丁腈橡胶、硅橡胶
 防水等级: IP68-10 巴压力
 工作温度: 静态: -40℃到 100℃, 短时间达 120℃
 动态: -20℃到 80℃, 短时间达 100℃

Material: Nickel-plated brass
 Claw: PA66 (Nylon), UL94-V2
 Hermetic seal: NBR、Silicone rubber
 O-Ring: NBR、Silicone rubber
 Protection degree: IP68-10 bar
 Temperature: Static state: -40 °C to 100 °C ,Short time to 120 °C ;Dynamic state: -20 °C to 80°C ,Short time to 100°C



专利产品 patented product

规格参数 单位: mm

规格 Item	适用范围 Φ Range	螺纹长度 GL Thread Length	螺纹外径 AG Thread O.D.	安装孔径 Mounting hole	接合长度 H Joint Length	扳手径 ψ Spanner size	产品编号 Code
PG7	2-5	6.5	12.5	12.5-12.7	17	14/15	HX-NPPG7-5
PG7	3-6.5	6.5	12.5	12.5-12.7	17	14/15	HX-NPPG7
PG9	3-6.5	8	15.2	15.2-15.4	19	17/18	HX-NPPG9-6.5
PG9	4-8	8	15.2	15.2-15.4	19	17/18	HX-NPPG9
PG11	4-8	8	18.6	18.6-18.8	21	20/21	HX-NPPG11-8
PG11	5-10	8	18.6	18.6-18.8	21	20/21	HX-NPPG11
PG13.5	5-10	8	20.4	20.4-20.6	22	22/23	HX-NPPG13.5-10
PG13.5	6-12	8	20.4	20.4-20.6	22	22/23	HX-NPPG13.5
PG16	6-12	8	22.5	22.5-22.7	23	24/25	HX-NPPG16-12
PG16	10-14	8	22.5	22.5-22.7	23	24/25	HX-NPPG16
PG21	12-16	9	28.3	28.3-28.5	27	30	HX-NPPG21-16
PG21	13-18	9	28.3	28.3-28.5	27	30	HX-NPPG21
PG29	15-22	10	37.0	37.0-37.2	31	40	HX-NPPG29-22
PG29	18-25	10	37.0	37.0-37.2	31	40	HX-NPPG29
PG36	23-30	11	47.0	47.0-47.2	37	50	HX-NPPG36-30
PG36	25-33	11	47.0	47.0-47.2	37	50	HX-NPPG36
PG42	30-35	13	54.0	54.0-54.2	37	57	HX-NPPG42-35
PG42	32-38	13	54.0	54.0-54.2	37	57	HX-NPPG42
PG48	35-40	14	59.3	59.3-59.5	38	64	HX-NPPG48-40
PG48	37-44	14	59.3	59.3-59.5	38	64	HX-NPPG48



金属电缆接头

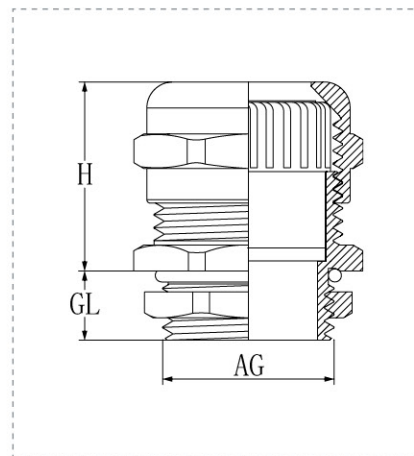
Metal Cable Gland

G / NPT

CE ROHS IP68 REACH

材质: 镀镍黄铜
 夹紧件: 采用尼龙塑料 PA66, UL94-V2
 密封件: 丁腈橡胶、硅橡胶
 防水圈: 丁腈橡胶、硅橡胶
 防水等级: IP68-10 巴压力
 工作温度: 静态: -40℃到 100℃, 短时间达 120℃
 动态: -20℃到 80℃, 短时间达 100℃

Material: Nickel-plated brass
 Claw: PA66 (Nylon), UL94-V2
 Hermetic seal: NBR, Silicone rubber
 O-Ring: NBR, Silicone rubber
 Protection degree: IP68-10 bar
 Temperature: Static state: -40 °C to 100 °C, Short time to 120 °C; Dynamic state: -20 °C to 80 °C, Short time to 100 °C



专利产品 patented product

规格参数 单位: mm

规格 Item	适用范围 Φ Range	螺纹长度 GL Thread Length	螺纹外径 AG Thread O.D.	接合长度 H Joint Length	扳手径 Spanner size	产品编号 Code
G1/4"	3-6.5	6.5	13.1	13.5	15	HX-NPG1/4
G3/8"	4-8	8	16.6	17	19	HX-NPG3/8
G1/2"	6-12	8	20.9	22	22/23	HX-NPG1/2
G3/4"	13-18	9	26.4	25	30	HX-NPG3/4
G1"	18-25	10	32.2	29	40	HX-NPG1
G1-1/4"	25-33	11	41.9	35	50	HX-NPG1-1/4
G1-1/2"	32-38	12	47.8	37	57/55	HX-NPG1-1/2
G2"	37-44	14	59.6	38	65	HX-NPG2
G2-1/2"	42-52	16	75.1	42	78	HX-NPG2-1/2
G3"	65-70	18	88	45	94	HX-NPG3
NPT1/4"	3-6.5	6.5	13.1	13.5	15	HX-NPNPT1/4
NPT3/8"	4-8	8	16.6	17	19	HX-NPNPT3/8
NPT1/2"	6-12	8	20.9	22	22/23	HX-NPNPT1/2
NPT3/4"	13-18	9	26.4	25	30	HX-NPNPT3/4
NPT1"	18-25	10	32.2	29	40	HX-NPNPT1
NPT1-1/4"	25-33	11	41.9	35	50	HX-NPNPT1-1/4
NPT1-1/2"	32-38	12	47.8	37	57/55	HX-NPNPT1-1/2
NPT2"	37-44	14	59.6	38	65	HX-NPNPT2
NPT2-1/2"	42-52	16	W75.1	42	78	HX-NPNPT2-1/2



金属加长型电缆接头

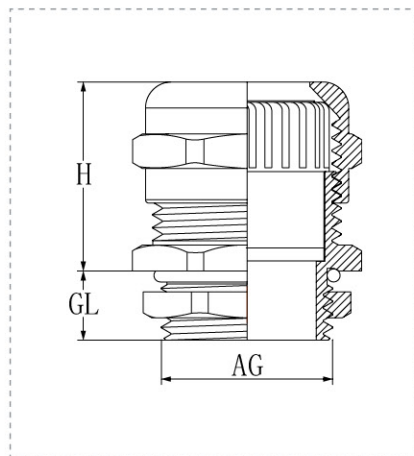
Metal Cable Gland- Length Type

M / PG

CE ROHS IP68 REACH

材质: 镀镍黄铜
 夹紧件: 采用尼龙塑料 PA66, UL94-V2
 密封件: 丁腈橡胶、硅橡胶
 防水圈: 丁腈橡胶、硅橡胶
 防水等级: IP68-10 巴压力
 工作温度: 静态: -40℃到 100℃, 短时间达 120℃
 动态: -20℃到 80℃, 短时间达 100℃

Material: Nickel-plated brass
 Claw: PA66 (Nylon), UL94-V2
 Hermetic seal: NBR, Silicone rubber
 O-Ring: NBR, Silicone rubber
 Protection degree: IP68-10 bar
 Temperature: Static state: -40 °C to 100 °C, Short time to 120 °C ;Dynamic state: -20 °C to 80 °C, Short time to 100 °C



专利产品 patented product

规格参数 单位: mm

规格 Item	适用范围 Φ Range	螺纹长度 GL Thread Length	螺纹外径 AG Thread O.D.	接合长度 H Joint Length	扳手径 Spanner size	产品编号 Code
M12×1.5	3-6.5	10	12	17	14	HX-NPM12L
M16×1.5	4-8	12	16	19	18	HX-NPM16L
M18×1.5	5-10	12	18	21	20	HX-NPM18L
M20×1.5	6-12	12	20	22	22	HX-NPM20L
M22×1.5	10-14	12	22	23	24	HX-NPM22L
M25×1.5	10-14	12	25	25	24/27	HX-NPM25-14L
M25×1.5	13-18	12	25	27	30/27	HX-NPM25-18L
M32×1.5	15-22	15	32	29	35	HX-NPM32L
M40×1.5	18-25	15	40	31	40/45	HX-NPM40-25L
M40×1.5	22-30	15	40	35	45	HX-NPM40-30L
M50×1.5	32-38	15	50	37	57/55	HX-NPM50L
M63×1.5	37-44	18	63	38	64/68	HX-NPM63L
PG7	3-6.5	10	12.5	17	14/15	HX-NPPG7L
PG9	4-8	12	15.2	19	17/18	HX-NPPG9L
PG11	5-10	12	18.6	21	20/21	HX-NPPG11L
PG13.5	6-12	12	20.4	22	22/23	HX-NPPG13.5L
PG16	10-14	12	22.5	23	24/25	HX-NPPG16L
PG21	13-18	12	28.3	27	30	HX-NPPG21L
PG29	18-25	15	37.0	31	40	HX-NPPG29L
PG36	25-33	15	47.0	37	50	HX-NPPG36L
PG42	32-38	15	54.0	37	57	HX-NPPG42L
PG48	37-44	18	59.3	38	64	HX-NPPG48L



金属加强型电缆接头

Metal Cable Gland-Strengthened Type

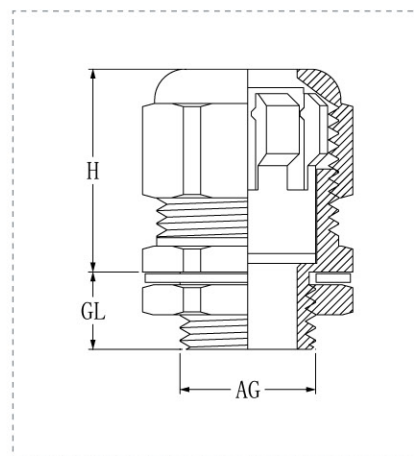


M / PG

CE ROHS IP68 REACH

材质: 镀镍黄铜
 夹紧件: 采用尼龙塑料 PA66, UL94-V2
 密封件: 丁腈橡胶、硅橡胶
 防水圈: 丁腈橡胶、硅橡胶
 防水等级: IP68-10 巴压力
 工作温度: 静态: -40℃到 100℃, 短时间达 120℃
 动态: -20℃到 80℃, 短时间达 100℃

Material: Nickel-plated brass
 Claw: PA66 (Nylon), UL94-V2
 Hermetic seal: NBR、Silicone rubber
 O-Ring: NBR、Silicone rubber
 Protection degree: IP68-10 bar
 Temperature: Static state: -40℃ to 100℃, Short time to 120℃; Dynamic state: -20℃ to 80℃, Short time to 100℃



规格参数 单位: mm

规格 Item	适用范围 Φ Range	螺纹长度 GL Thread Length	螺纹外径 AG Thread O.D.	接合长度 H Joint Length	扳手径 Spanner size	产品编号 Code
MG12×1.5	4-8	8	12	18.5	18	HX-NPMG12
MG16×1.5	5-10	9	16	21.5	22	HX-NPMG16
MG20×1.5	10-14	9.5	20	25.5	27	HX-NPMG20
MG25×1.5	13-18	11	25	28	30	HX-NPMG25
MG32×1.5	18-25	12.5	32	33	40	HX-NPMG32
MG40×1.5	25-32	15	40	35	50	HX-NPMG40
MG50×1.5	32-42	15	50	40	59	HX-NPMG50
MG63×1.5	35-45	17	63	45	67	HX-NPMG63

MPG7	4-8	8	12.5	18.5	18	HX-NPMPG7
MPG9	5-10	9	15.2	21.5	22	HX-NPMPG9
MPG11	6-12	9	18.6	24.0	24	HX-NPMPG11
MPG13.5	10-14	9.5	20.4	25.5	27	HX-NPMPG13.5
MPG16	12-16	9.5	22.5	27.0	27	HX-NPMPG16
MPG21	13-18	11	28.3	28.0	30	HX-NPMPG21
MPG29	18-25	12.5	37.0	33.0	40	HX-NPMPG29
MPG36	25-32	15	47.0	35.0	50	HX-NPMPG36
MPG42	32-42	15	54.0	40.0	59	HX-NPMPG42
MPG48	35-45	17	59.3	45.0	67	HX-NPMPG48



金属电缆接头系列 Metal Cable Gland Series

金属直通型电缆接头

Metal Cable Gland-Direct Type

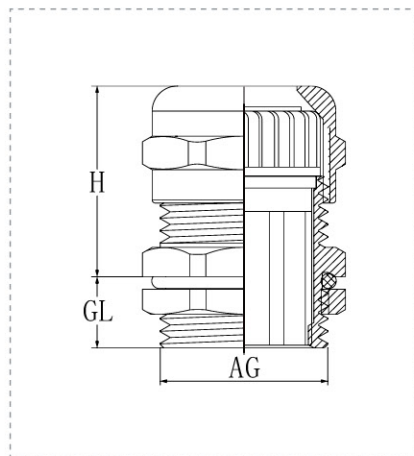


M / PG

CE ROHS IP68 REACH

材质: 镀镍黄铜
 夹紧件: 采用尼龙塑料 PA66, UL94-V2
 密封件: 丁腈橡胶、硅橡胶
 防水圈: 丁腈橡胶、硅橡胶
 防水等级: IP68-10 巴压力
 工作温度: 静态: -40℃到 100℃, 短时间达 120℃
 动态: -20℃到 80℃, 短时间达 100℃

Material: Nickel-plated brass
 Claw: PA66 (Nylon), UL94-V2
 Hermetic seal: NBR, Silicone rubber
 O-Ring: NBR, Silicone rubber
 Protection degree: IP68-10 bar
 Temperature: Static state: -40 °C to 100 °C ,Short time to 120 °C ;Dynamic state: -20 °C to 80 °C ,Short time to 100 °C



规格参数 单位: mm

规格 Item	适用范围 Φ Range	螺纹长度 GL Thread Length	螺纹外径 AG Thread O.D.	接合长度 H Joint Length	扳手径 ψ Spanner size	产品编号 Code
M12×1.5	3-6.5	6.5	12	17	14	HX-NTM12
M16×1.5	4-8	8	16	19	18	HX-NTM16
M18×1.5	5-10	8	18	21	20	HX-NTM18
M20×1.5	6-12	8	20	22	22	HX-NTM20
M22×1.5	10-14	8	22	23	24	HX-NTM22
M25×1.5	10-14	9	25	25	24/27	HX-NTM25-14
M25×1.5	13-18	9	25	27	30/27	HX-NTM25-18
M27×1.5	13-18	9	27	27	30	HX-NTM27
M32×1.5	15-22	10	32	29	35	HX-NTM32
M36×1.5	18-25	10	36	31	40	HX-NTM36
M40×1.5	18-25	10	40	31	40/45	HX-NTM40-25
M40×1.5	22-30	10	40	35	45	HX-NTM40-30
M48×1.5	25-33	10	48	37	50/52	HX-NTM48
M50×1.5	32-38	10	50	37	57/55	HX-NTM50
M63×1.5	37-44	10	63	38	64/68	HX-NTM63
M72×2	42-52	10	72	44	78	HX-NTM72
M80×2	55-60	15	80	45	88	HX-NTM80
PG7	3-6.5	6.5	12	17	14/15	HX-NTPG7
PG9	4-8	8	16	19	17/18	HX-NTPG9
PG11	5-10	8	18	21	20/21	HX-NTPG11
PG13.5	6-12	8	20	22	22/23	HX-NTPG13.5
PG16	10-14	8	22	23	24/25	HX-NTPG16
PG21	13-18	9	27	27	30	HX-NTPG21
PG29	18-25	10	36	31	40	HX-NTPG29
PG36	25-33	10	48	37	50	HX-NTPG36
PG42	32-38	10	50	37	57	HX-NTPG42
PG48	37-44	10	63	38	64	HX-NTPG48

可选择 G/NPT 螺纹定制 Customizable G/NPT thread



金属耐高温电缆接头

Metal Cable Gland-High temperature resistance Type

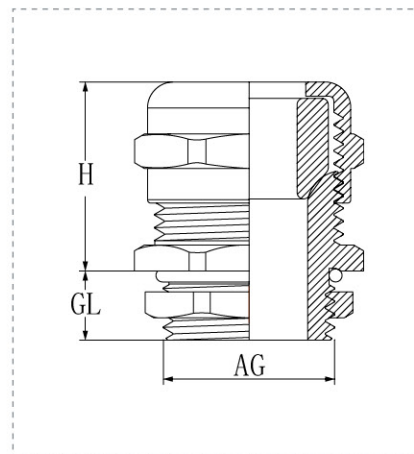


M / PG / G / NPT

CE ROHS IP68 REACH

材质: 镀镍黄铜
 密封件: 硅橡胶
 防水圈: 硅橡胶
 防水等级: IP68-10 巴压力
 工作温度: 静态: -60°C到 250°C

Material: Nickel-plated brass
 Hermetic seal: Silicone rubber
 O-Ring: Silicone rubber
 Protection degree: IP68-10 bar
 Temperature: Static state: -60°C to 250°C



规格参数 单位: mm

规格 Item	适用范围 Φ Range	螺纹长度 GL Thread Length	螺纹外径 AG Thread O.D.	扳手径 ψ Spanner size	产品编号 Code
M12×1.5	3-7	7	12	16/14	HX-NPM12S
M12×1.5	4-8	7	12	16/14	HX-NPM12S-8
M14×1.5	4-8	7	14	18/17	HX-NPM14S
M16×1.5	5-9	8	16	20/18	HX-NPM16S
M18×1.5	8-12	8	18	22/20	HX-NPM18S
M20×1.5	8-12	8	20	24/22	HX-NPM20S
PG7	3-7	7	12.5	16/15	HX-NPPG7S
PG9	4-8	7	15.2	18/18	HX-NPPG9S
PG11	5-9	8	18.5	22/21	HX-NPPG11S
PG13.5	8-12	8	20.4	24/23	HX-NPPG13.5S

规格 Item				适用范围 Φ Range	螺纹长度 GL Thread Length	接合长度 H Joint Length	扳手径 ψ Spanner size	产品编号 Code
公制螺纹 M	德制螺纹 PG	管制螺纹 G	美制螺纹 NPT					
M12×1.5	PG7	G1/4	NPT1/4	4-7	7	21	18	HX-NG "Item"
M16×1.5	PG9			4-11	7	25	20	
M18×1.5	PG11	G3/8	NPT3/8	4-11	7	25	22	
M20×1.5	PG13.5	G1/2	NPT 1/2	5-14	8	29	24	
M22×1.5	PG16			5-14	8	29	24	
M25×1.5	PG21	G3/4	NPT3/4	11-20	9	30	30	
M32×1.5	PG29	G1	NPT1	15-25	10	32	36	
M40×1.5	PG36	G1-1/4	NPT1-1/4	22-32	11	35	44	
M50×1.5	PG42	G1-1/2	NPT1-1/2	31-42	13	37	58	
M63×1.5	PG48	G2	NPT2	41-51	14	40	68	
M72×2				50-54	16	47	81	



金属电缆接头系列 Metal Cable Gland Series

金属屏蔽型电缆接头

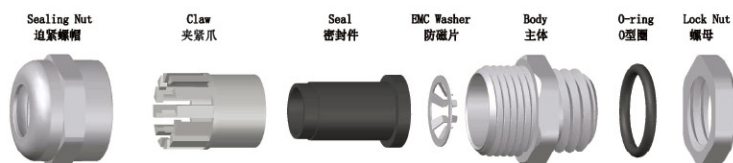
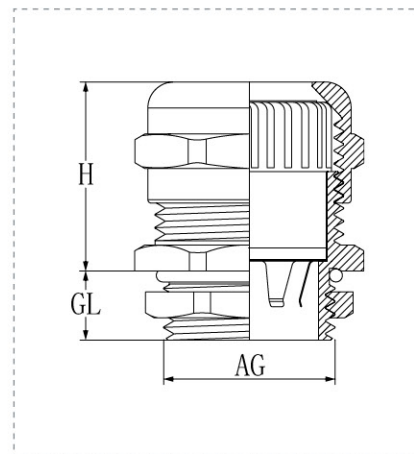
Metal Cable Gland-EMC-W Type

M / PG / G / NPT

CE ROHS IP68 REACH

材质: 镀镍黄铜
 夹紧件: 采用尼龙塑料 PA66, UL94-V2
 密封件: 丁腈橡胶、硅橡胶
 防水圈: 丁腈橡胶、硅橡胶
 防水等级: IP68-10 巴压力
 工作温度: 静态: -40℃到 100℃, 短时间达 120℃
 动态: -20℃到 80℃, 短时间达 100℃

Material: Nickel-plated brass
 Claw: PA66 (Nylon), UL94-V2
 Hermetic seal: NBR, Silicone rubber
 O-Ring: NBR, Silicone rubber
 Protection degree: IP68-10 bar
 Temperature: Static state: -40 °C to 100 °C, Short time to 120 °C; Dynamic state: -20 °C to 80 °C, Short time to 100 °C



规格参数 单位: mm

规格 Item				适用范围 Φ Range	螺纹长度 GL Thread Length	接合长度 H Joint Length	扳手径 Φ Spanner size	产品编号 Code
公制螺纹 M	德制螺纹 PG	管制螺纹 G	美制螺纹 NPT					
M12×1.5	PG7	G1/4	NPT1/4	3-6.5	6.5	19	14	HX-EMC- "Item"-W
				4-8	8	19	17/14	
M16×1.5	PG9	G3/8	NPT3/8	3-6	8	20	18	
				4-8	8	20	18	
				5-10	8	21	20/18	
M18×1.5	PG11	G3/8	NPT3/8	5-10	8	21	20	
M20×1.5	PG13.5	G1/2	NPT1/2	6-12	8	22	22	
				10-14	8	23	24/22	
M22×1.5	PG16	G1/2	NPT1/2	10-14	8	23	24	
				10-14	9	25	24/27	
M25×1.5	PG21	G3/4	NPT3/4	12-16	9	27	27	
				13-18	9	27	30/27	
				15-22	10	29	35	
M32×1.5	PG29	G1	NPT1	18-25	10	31	40/35	
				18-25	11	31	40/45	
M40×1.5	PG36	G1-1/4	NPT1-1/4	25-33	11	37	50/45	
				22-30	11	35	45	
M50×1.5	PG42	G1-1/2	NPT1-1/2	32-38	13	37	57/55	
				37-44	14	38	64/68	
M63×1.5	PG48	G2	NPT2	42-52	14	38	78/68	
				42-52	16	42	78	
M72×2				42-52	16	42	78	
M80×2				55-62	18	45	88	



金属多孔型电缆接头

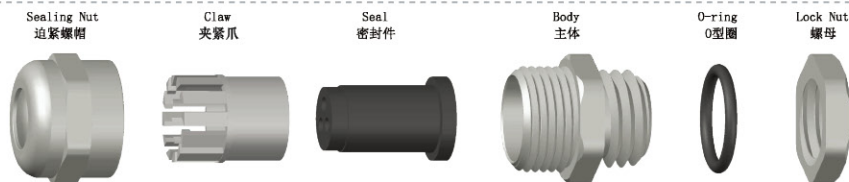
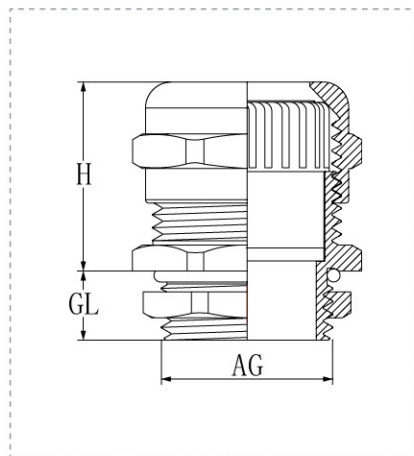
Metal Cable Gland-Multiple-entry Type

M

CE ROHS IP68 REACH

材质: 镀镍黄铜
 夹紧件: 采用尼龙塑料 PA66, UL94-V2
 密封件: 丁腈橡胶、硅橡胶
 防水圈: 丁腈橡胶、硅橡胶
 防水等级: IP68-10 巴压力
 工作温度: 静态: -40℃到 100℃, 短时间达 120℃
 动态: -20℃到 80℃, 短时间达 100℃

Material: Nickel-plated brass
 Claw: PA66 (Nylon), UL94-V2
 Hermetic seal: NBR、Silicone rubber
 O-Ring: NBR、Silicone rubber
 Protection degree: IP68-10 bar
 Temperature: Static state: -40 °C to 100 °C ,Short time to 120 °C ;Dynamic state: -20 °C to 80 °C ,Short time to 100 °C



规格参数 单位: mm

规格 Item	F	M2	M3	M4	M5	M6	M7	M8	产品编号 Code
M12×1.5	/	3-1.2	2.6-1.2	2.3-1	/	/	/	/	HX-NDM12/*
M16×1.5	/	4-1.6	2.6-1.2	2.3-1	2.5-1	2-1	/	/	HX-NDM16/*
M18×1.5	6*10	3.5-2	4-1.6	3-1.2	2.6-1.5	2.2-1	/	/	HX-NDM18/*
M20×1.5	5*11.5	5.3-1.5	5-2	4.2-1.7	3-1.2	3-1.2	3-1.2	3-1.2	HX-NDM20/*
M22×1.5	6*14	6-2.5	3.5-1.5	4.5-2	3-1.2	3-1.2	3-1.2	/	HX-NDM22/*
M25×1.5	6*14	8.7-4	8-4	5-2	3.5-1.5	3.5-1.5	3.5-1.5	3.5-1.5	HX-NDM25/*
M27×1.5	7*18	8.7-4.5	5-2	7-3.5	3.5-1.5	3.5-1.5	3.5-1.5	3.5-1.5	HX-NDM27/*
M32×1.5	8*22	10-5	10-5	9-4.5	8.0-4.0	7-3.5	6-3	/	HX-NDM32/*
M37×1.5	/	9-6	/	9-6	/	6.5-3.5	/	/	HX-NDM37/*
M40×1.5	/	15-12	/	/	9-6	8-5	9-6	/	HX-NDM40/*
M50×1.5	/	/	/	/	5-3	/	/	/	HX-NDM50/*
M63×1.5	/	17-14	18-15	/	/	/	/	/	HX-NDM63/*



金属屏蔽型电缆接头

Metal Cable Gland-EMC-T Type

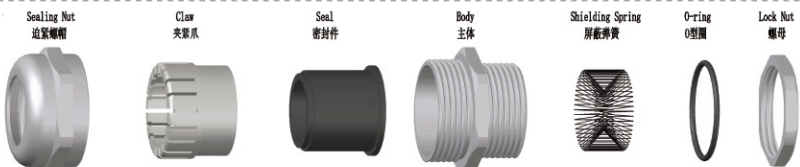
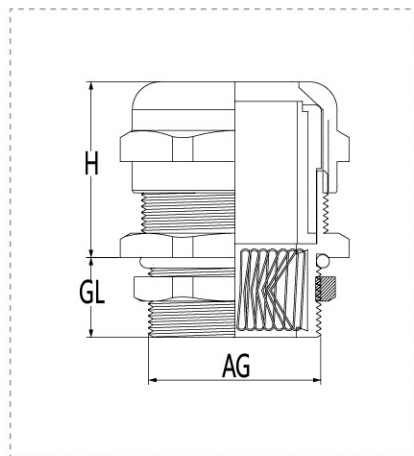


M / PG / G / NPT

CE ROHS IP68 REACH

材质: 镀镍黄铜
 夹紧件: 采用尼龙塑料 PA66, UL94-V2
 密封件: 丁腈橡胶、硅橡胶
 防水圈: 丁腈橡胶、硅橡胶
 防水等级: IP68-10 巴压力
 工作温度: 静态: -40℃到 100℃, 短时间达 120℃
 动态: -20℃到 80℃, 短时间达 100℃
 应用特点: 适用于对线缆密封, 抗拉有特别要求的场合

Material: Nickel-plated brass
 Claw: PA66 (Nylon), UL94-V2
 Hermetic seal: NBR, Silicone rubber
 O-Ring: NBR, Silicone rubber
 Protection degree: IP68-10 bar
 Temperature: Static state: -40 °C to 100 °C, Short time to 120 °C ;Dynamic state: -20 °C to 80 °C, Short time to 100 °C



规格参数 单位: mm

规格 Item				适用范围 Φ Range	螺纹长度 GL Thread Length	接合长度 H Joint Length	扳手径 Ψ Spanner size	产品编号 Code
公制螺纹 M	德制螺纹 PG	管制螺纹 G	美制螺纹 NPT					
M12×1.5	PG7	1/4	1/4	3-6.5	6.5	21	14	HX-EMC-"Item"-T
				4-8	8	21	17/14	
M16×1.5	PG9			3-6	8	25	18	
				4-8	8	25	18	
				5-10	8	25	20/18	
M18×1.5	PG11	3/8	3/8	5-10	8	25	20	
M20×1.5	PG13.5	1/2	1/2	6-12	8	29	22	
				10-14	8	29	24/22	
M22×1.5	PG16			10-14	8	29	24	
M25×1.5	PG21	3/4	3/4	10-14	9	30	24/27	
				12-16	9	30	27	
				13-18	9	30	30/27	
M32×1.5	PG29	1	1	15-22	10	32	35	
				18-25	10	32	40/35	
M40×1.5	PG36	1-1/4	1-1/4	18-25	11	35	40/45	
				22-30	11	35	45	
M50×1.5	PG42	1-1/2	1-1/2	25-33	11	35	50/45	
M63×1.5	PG48	2	2	32-38	13	39	57/55	
				37-44	14	40	64/68	
				42-52	14	40	78/68	



金属电缆接头系列 Metal Cable Gland Series

不锈钢电缆接头

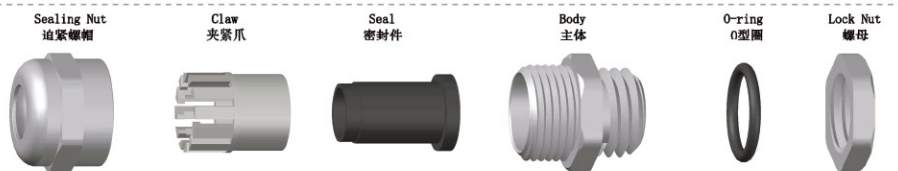
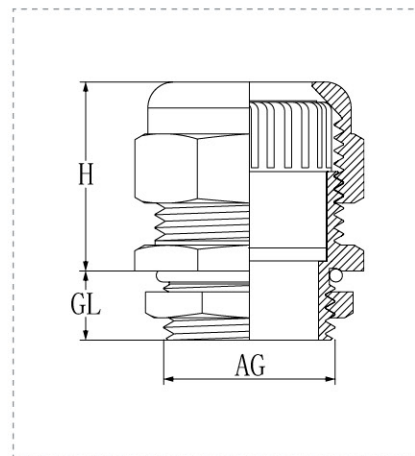
Stainless steel Cable Gland

M

CE ROHS IP68 Ex

材质: 不锈钢 304/316L
 夹紧件: 采用尼龙塑料 PA66, UL94-V2
 密封件: 丁腈橡胶、硅橡胶
 防水圈: 丁腈橡胶、硅橡胶
 防水等级: IP68-10 巴压力
 工作温度: 静态: -40℃到 100℃, 短时间达 120℃
 动态: -20℃到 80℃, 短时间达 100℃

Material: SS304/SS316L
 Claw: PA66 (Nylon), UL94-V2
 Hermetic seal: NBR、Silicone rubber
 O-Ring: NBR、Silicone rubber
 Protection degree: IP68-10 bar
 Temperature: Static state: -40℃ to 100℃, Short time to 120℃; Dynamic state: -20℃ to 80℃, Short time to 100℃



规格参数 单位: mm

规格 Item	适用范围 Φ Range	螺纹长度 GL Thread Length	螺纹外径 AG Thread O.D.	接合长度 H Joint Length	扳手径 Spanner size	产品编号 Code	规格 Item	适用范围 Φ Range	螺纹长度 GL Thread Length	螺纹外径 AG Thread O.D.	接合长度 H Joint Length	扳手径 Spanner size	产品编号 Code
M8 × 1	2-5	5	8	16	12	HX-SSM8	M27 × 1.5	13-18	9	27	27	30	HX-SSM27
M10 × 1	2-5	7	10	19	14	HX-SSM10-5	M30 × 1.5	13-18	9	30	29	30/32	HX-SSM30
	3-6.5	7	10	19	14	HX-SSM10		15-22	9	30	29	35/32	HX-SSM30-22
M12 × 1.5	2-5	7	12	19	14	HX-SSM12-5	M32 × 1.5	13-18	10	32	29	35	HX-SSM32-18
	3-6.5	7	12	19	14	HX-SSM12		15-22	10	32	29	35	HX-SSM32
M14 × 1.5	4-8	8	12	19	17/14	HX-SSM12-8	M33 × 2	18-25	10	32	31	40/35	HX-SSM32-25
	3-6	8	14	19	17	HX-SSM14-6		13-18	10	33	29	35/36	HX-SSM33
M16 × 1.5	4-8	8	14	19	17	HX-SSM14	M36 × 1.5	15-22	10	36	31	40	HX-SSM36-18
	3-6	8	16	20	18	HX-SSM16-6		18-25	10	36	31	40	HX-SSM36-22
M18 × 1.5	4-8	8	16	20	18	HX-SSM16	M40 × 1.5	18-25	10	36	31	40	HX-SSM36
	5-10	8	16	21	20/18	HX-SSM16-10		18-25	11	40	31	40/45	HX-SSM40-25
M20 × 1.5	3-7	8	18	21	20/21	HX-SSM18-7	M47 × 1.5	22-30	11	40	35	45	HX-SSM40-30
	5-10	8	18	21	20/21	HX-SSM18		25-33	11	40	37	50/45	HX-SSM40-33
M22 × 1.5	6-12	8	18	22	22/20	HX-SSM18-12	M48 × 2	25-33	11	47	37	50	HX-SSM47
	5-10	8	20	22	22	HX-SSM20-10		30-35	12	48	37	50/52	HX-SSM48
M24 × 1.5	6-12	8	20	22	22	HX-SSM20	M50 × 1.5	37-44	13	50	38	64/55	HX-SSM50-44
	10-14	8	20	23	24/22	HX-SSM20-14		32-38	12	50	37	57/55	HX-SSM50
M25 × 1.5	8-12	8	22	23	24	HX-SSM22-12	M60 × 1.5	37-44	13	60	38	65	HX-SSM60
	10-14	8	22	23	24	HX-SSM22		37-44	13	63	38	64/68	HX-SSM63
M22 × 1.5	8-12	9	24	25	24/27	HX-SSM24-12	M63 × 1.5	42-52	13	63	42	78/68	HX-SSM63-52
	10-14	9	24	25	24/27	HX-SSM24		37-44	13	64	38	64/68	HX-SSM64
M24 × 1.5	12-16	9	24	27	27	HX-SSM24-16	M64 × 2	42-52	13	64	42	78/68	HX-SSM64-52
	8-12	9	25	25	24/27	HX-SSM25-12		M72 × 2	42-52	15	72	42	76/80
M25 × 1.5	10-14	9	25	27	24/27	HX-SSM25-14			48-58	15	72	45	76/80
	12-16	9	25	27	27	HX-SSM25-16							
	13-18	9	25	27	30/27	HX-SSM25-18							



不锈钢电缆接头系列 Stainless Steel Cable Gland Series

不锈钢电缆接头

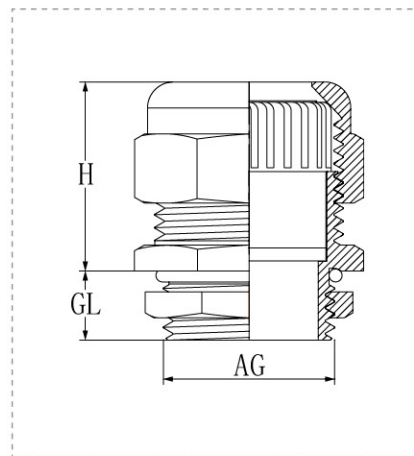
Stainless steel Cable Gland

PG

CE ROHS IP68 Ex

材质: 不锈钢 304/316L
 夹紧件: 采用尼龙塑料 PA66, UL94-V2
 密封件: 丁腈橡胶、硅橡胶
 防水圈: 丁腈橡胶、硅橡胶
 防水等级: IP68-10 巴压力
 工作温度: 静态: -40°C到 100°C, 短时间达 120°C
 动态: -20°C到 80°C, 短时间达 100°C

Material: SS304/SS316L
 Claw: PA66 (Nylon), UL94-V2
 Hermetic seal: NBR, Silicone rubber
 O-Ring: NBR, Silicone rubber
 Protection degree: IP68-10 bar
 Temperature: Static state: -40°C to 100°C, Short time to 120°C; Dynamic state: -20°C to 80°C, Short time to 100°C



规格参数 单位: mm

规格 Item	适用范围 Φ Range	螺纹长度 GL Thread Length	螺纹外径 AG Thread O.D.	接合长度 H Joint Length	扳手径 Φ Spanner size	产品编号 Code
PG7	3-6.5	7	12.5	19.0	14/15	HX-SSPG7
PG9	4-8	8	15.2	20.0	17/18	HX-SSPG9
PG11	5-10	8	18.6	21.0	20/21	HX-SSPG11
PG13.5	6-12	8	20.4	22.0	22/23	HX-SSPG13.5
PG16	10-14	8	22.5	23.0	24/25	HX-SSPG16
PG21	13-18	9	28.3	27.0	30	HX-SSPG21
PG29	18-25	10	37.0	31.0	40	HX-SSPG29
PG36	25-33	11	47.0	37.0	50	HX-SSPG36
PG42	32-38	13	54.0	38.0	60	HX-SSPG42
PG48	37-44	14	59.3	38.0	65	HX-SSPG48
PG63	42-52	16	72.0	42.0	76/80	HX-SSPG63



不锈钢电缆接头

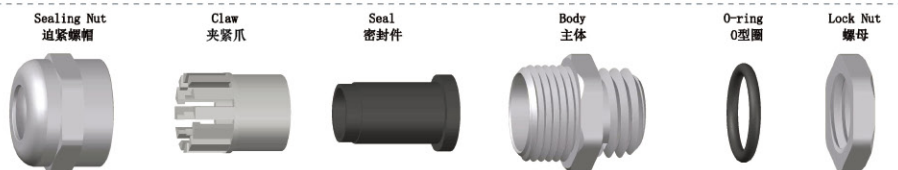
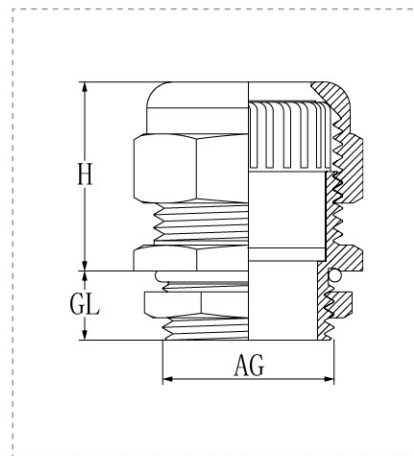
Stainless steel Cable Gland

G / NPT

CE ROHS IP68 Ex

材质: 不锈钢 304/316L
 夹紧件: 采用尼龙塑料 PA66, UL94-V2
 密封件: 丁腈橡胶、硅橡胶
 防水圈: 丁腈橡胶、硅橡胶
 防水等级: IP68-10 巴压力
 工作温度: 静态: -40℃到 100℃, 短时间达 120℃
 动态: -20℃到 80℃, 短时间达 100℃

Material: SS304/SS316L
 Claw: PA66 (Nylon), UL94-V2
 Hermetic seal: NBR、Silicone rubber
 O-Ring: NBR、Silicone rubber
 Protection degree: IP68-10 bar
 Temperature: Static state: -40℃ to 100℃, Short time to 120℃; Dynamic state: -20℃ to 80℃, Short time to 100℃



规格参数 单位: mm

规格 Item	适用范围 Φ Range	螺纹长度 GL Thread Length	接合长度 H Joint Length	螺纹外径 AG Thread O.D.	扳手径 Spanner size	产品编号 Code
G1/4	3-6.5	7	19	13.1	14	HX-SSG1/4
G3/8	4-8	8	21	16.6	17/20	HX-SSG3/8
G1/2	6-12	8	22	20.9	22/23	HX-SSG1/2
G3/4	13-18	9	25	26.4	30	HX-SSG3/4
G1	18-25	10	29	32.2	40	HX-SSG1/2
G1-1/4	25-33	11	35	41.9	50	HX-SSG1-1/4
G1-1/2	32-38	12	37	47.8	57/55	HX-SSG1-1/2
G2	37-44	14	38	59.6	65	HX-SSG2
G2-1/2	42-52	16	42	75.1	78	HX-SSG2-1/2
G3	65-70	18	45	88	94	HX-SSG3
NPT1/4	3-6.5	11	19	13.6	14	HX-SSNPT1/4
NPT3/8	4-8	11	21	17.0	17/20	HX-SSNPT3/8
NPT1/2	6-12	13	23.5	21.2	22/24	HX-SSNPT1/2
NPT3/4	13-18	13	26	26.5	30	HX-SSNPT3/4
NPT1	18-25	16	33	33.2	40	HX-SSNPT1
NPT1-1/4	22-32	16	37.5	41.9	50	HX-SSNPT1 1/4
NPT1-1/2	30-38	18	38.5	48.0	55/58	HX-SSNPT1 1/2
NPT2	37-44	18	40	60.0	65	HX-SSNPT2
NPT2-1/2	42-52	18	40	72.6	77	HX-SSNPT2-1/2
NPT3	55-61	18	41	88.6	94	HX-SSNPT3



金属双锁紧电缆接头

Metal Cable Gland-Double Lock Type

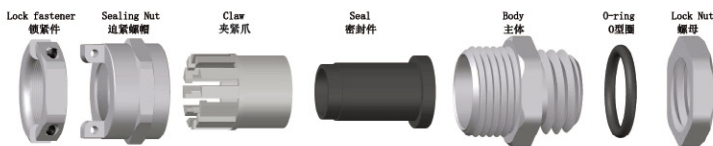
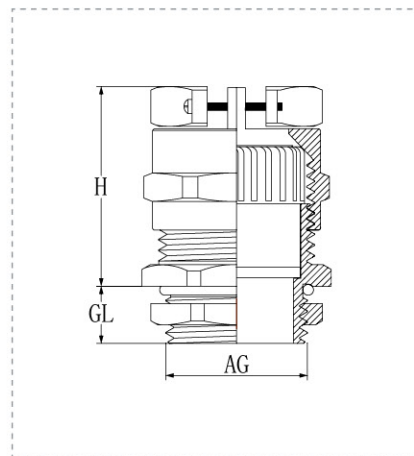


M

CE ROHS IP68 REACH

材质: 镀镍黄铜
 夹紧件: 采用尼龙塑料 UL94-V2
 密封件: 丁腈橡胶、硅橡胶
 防水圈: 丁腈橡胶、硅橡胶
 防水等级: IP68-10 巴压力
 工作温度: 静态: -40°C到 100°C, 短时间达 120°C
 动态: -20°C到 80°C, 短时间达 100°C
 应用特点: 适用于对线缆密封, 抗拉有特别要求的场合

Material: SS304/SS316L
 Claw: PA66 (Nylon), UL94-V2
 Hermetic seal: NBR、Silicone rubber
 O-Ring: NBR、Silicone rubber
 Protection degree: IP68-10 bar
 Temperature: Static state: -40°C to 100°C, Short time to 120°C; Dynamic state: -20°C to 80°C, Short time to 100°C



规格参数 单位: mm

规格 Item	适用范围 Φ Range	螺纹长度 GL Thread Length	螺纹外径 Thread O.D.	接合长度 H Joint Length	扳手径 ψ Spanner size	产品编号 Code
M12×1.5	3-6.5	6.5	12.0	25	14	HX-NSM12
	4-8	8	12.0	27	17/14	HX-NSM12-8
M16×1.5	3-6	8	16.0	27	18	HX-NSM16-6
	4-8	8	16.0	27	18	HX-NSM16
	5-10	8	16.0	29	20/18	HX-NSM16-10
M18×1.5	5-10	8	18.0	29	20	HX-NSM18
	6-12	8	20.0	31	22	HX-NSM20
M20×1.5	10-14	8	20.0	31	24/22	HX-NSM20-12
	10-14	9	25.0	37	24/27	HX-NSM25-14
M25×1.5	12-16	9	25.0	37	27	HX-NSM25-16
	13-18	9	25.0	37	30/27	HX-NSM25-18
	15-22	10	32.0	42	35	HX-NSM32
M32×1.5	18-25	10	32.0	42	40/35	HX-NSM32-25
	18-25	11	40.0	48	40/45	HX-NSM40-25
	22-30	11	40.0	48	45	HX-NSM40-30
M40×1.5	25-33	11	40.0	48	50/45	HX-NSM40-33
	32-38	13	50.0	50	57/55	HX-NSM50
M50×1.5	37-44	14	63.0	51	64/68	HX-NSM63
	42-52	14	63.0	51	78/68	HX-NSM63-52

可选择 PG/G/NPT 螺纹定制

Customizable PG/G/NPT thread customization



特殊功能防水接头系列 Special Function Cable Gland Series

防折弯电缆接头

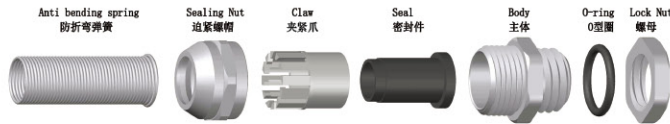
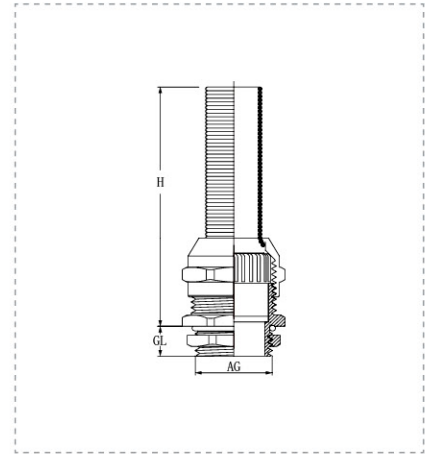
Cable Gland-Spiral Type

M / PG

CE ROHS IP68 REACH

外部材质: PA66/ 黄铜镀镍 / 不锈钢 304/316L
 内部芯套: 尼龙阻燃 UL94-V2
 密封件: 硅橡胶
 防水圈: 丁腈橡胶、硅橡胶等
 防护等级: IP68
 工作温度: -40°C到 100°C 短时间达 120°C
 颜色定制: 灰色、黑色其他颜色可以定制

External material: Nickel-plated brass/SS304 316L/PA66
 Inner core: nylon UL94-V2 flame retardant
 Seal: Silicone rubber
 Hermetic seal: NBR, Silicone rubber
 Protection degree: IP68
 Temperature: Min-40°C ,Max100°C ,Short-time120°C
 Color: Grey, Black, other color customized



规格参数 单位: mm

规格 Item	适用范围 Range	螺纹长度 GL	安装孔径 Mountinghole	结合长度 H	扳手径 ϕ Spanner size	产品编号 Code
PG7	3-6.5	6.5	12.5	65.0	14/15	HX-NZPG7
PG9	4-8	8	15.2	68.0	17/18	HX-NZPG9
PG11	5-10	8	18.6	75.0	20/21	HX-NZPG11
PG13.5	6-12	8	20.4	75.0	22/23	HX-NZPG13.5
PG16	10-14	8	22.5	80.0	24/25	HX-NZPG16
PG21	13-18	9	28.3	100.0	30	HX-NZPG21
M12x1.5	3-6.5	6.5	12	65	14	HX-NZM12
M16x1.5	4-8	8	16	75	18	HX-NZM16
M18x1.5	5-10	8	18	77	20	HX-NZM18
M20x1.5	6-12	8	20	80	22	HX-NZM20
M22x1.5	10-14	8	22	98	24	HX-NZM22
M25x1.5	13-18	9	25	90	27	HX-NZM25
M30x1.5	13-18	9	25	100	30	HX-NZM30
M12x1.5	3-6.5	9	12	65	18/16	HX-NLZM12
M16x1.5	4-8	9	16	75	22/19	HX-NLZM16
M18x1.5	5-10	9	18	77	24/22	HX-NLZM18
M20x1.5	6-11	10	20	80	27/24	HX-NLZM20
M22x1.5	10-13	10	22	98	30/27	HX-NLZM22
M25x1.5	12-15	12	25	90	31/28	HX-NLZM25
M27x1.5	13-18	12	27	100	35/33	HX-NLZM27

HX-NZ 为金属系列 HX-NZ is metal series
 HX-NLZ 为尼龙系列 HX-NLZ is nylon series



特殊功能防水接头系列 Special Function Cable Gland Series

透气阀

Breathable Valve

M

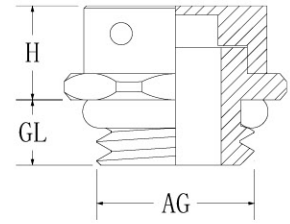
CE ROHS IP68 REACH

材质: 不锈钢 / 铜镀锌 / 铝材 / 尼龙 PA6
 防护等级: 在规定电缆外径内并使用合适 O 形密封圈防护等级可以达到 IP68, 防水深度达到 3M-5M
 颜色: 灰色、白色、黑色等颜色定制
 温度: -40°C 到 120°C 短时间达 150°C
 气流: 325 毫升 / 分钟 (0.07)
 入水压力: >5 巴

Material: Stainless steel/Nickel-plated brass/ Aluminum/Nylon PA6
 Protection degree: In the specified cable outer diameter and the appropriate o-ring protection level can reach IP68, the waterproof depth reaches 3M - 5M
 Color: Gray,white,black and customized color
 Temperature rsistance: -40°C -100°C, short time to 120°C
 rate of air flow: 325ml/min (0.07)
 Water inlet pressure: > 5bar

功能:
 1: 防水防尘
 2: 通风口。铜厂和长期保护内部设备运行在恶劣的环境
 3: 散热, 更换或辅助散热片, 以降低车内温度。
 4: 延长产品使用寿命

Function:
 1:Waterproof,dustproof
 2:Vent,copper factory and protect equipment operating under terrible environment.
 3:Cooling,replace or assist heat sink,to reduce temperature of car.
 4:Extend the service life of products.



规格参数 单位: mm

规格 Item	空气渗透率 Air permeability	螺纹直径 Thread diameter	螺纹长度 Thread Length	总长度 Total length	扳手径 φ Spanner size	产品编号 Code
M5x0.8	94ML/Min	5	6	9.5	10	HX-BF-M5
M6x1	94ML/Min	6	6	15	10	HX-BF-M6
M8x1	147ML/Min	8	7	16	12	HX-BF-M8
M12x1.5	288ML/Min	12	7	19	14	HX-BF-M12
M16x1.5	1375ML/Min	16	7	21	18	HX-BF-M16
M20x1.5	2150ML/Min	20	7	21	22	HX-BF-M20
M5x0.8	60ML/Min	5	6	11.6	11	HX-PF-M5
M6x1	60ML/Min	6	6	11.6	11	HX-PF-M6
M10x1	182ML/Min	10	9	17	17	HX-PF-M10
M12x1.5	260ML/Min	12	9	17	17	HX-PF-M12
M16x1.5	748ML/Min	16	9	22	22	HX-PF-M16

BF 系列为金属透气阀, PF 系列为尼龙透气阀。

BF series is Metal Breather valve, PF seires is Nylon Breather valve



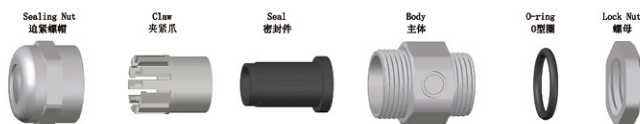
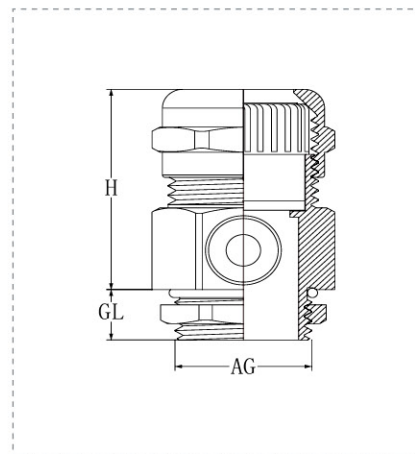
透气型电缆接头

Cable Gland-Air Permeable Type

M

CE ROHS IP68 REACH

材质:	黄铜镀镍	Material:	Nickel-plated brass
芯套:	尼龙 V2 (UL94)	Plastic Claw:	Nylon V2 (UL94)
密封件:	丁腈橡胶	Seal:	NBR
防护等级:	在规定电缆外径内并使用合适 O 形密封圈防护等级可以达到 IP68, 防水深度达到 3m-5m	Protection degree:	In the specified cable outer diameter and the appropriate o-ring Protection degree can reach IP68, the waterproof depth reaches 3m-5m
工作温度:	-40℃~100℃, 短时间内可达到 120℃	Temperature:	-40℃-100℃, short time to 120℃
阻燃等级:	V2 (UL94), 满足 ROHS 要求	Flame retardant degree:	V2(UL94), match ROHS standard
散热透气:	2400ml/s/㎡ @0.02bar	Heat dissipation permeability:	2400ml/s/㎡ @0.02bar
进水压力:	>5bar	Water inlet pressure:	> 5bar



规格参数 单位: mm

规格 Item	适用范围 Range	螺纹长度 GL	螺纹外径 Thread O.D.	接合长度 H Joint Length	扳手尺寸 Spanner size	产品编号 Code
M12×1.5	3-6.5	6.5	12.0	27	16	HX-NFM12
	4-8	8	12.0	27	16/14	HX-NFM12-8
M16×1.5	3-6	8	16.0	27	18	HX-NFM16-6
	4-8	8	16.0	27	18	HX-NFM16
M18×1.5	5-10	8	16.0	27	20/18	HX-NFM16-10
	5-10	8	18.0	29	20	HX-NFM18
M20×1.5	5-10	8	20.0	32	22	HX-NFM20-10
	6-12	8	20.0	32	22	HX-NFM20
M25×1.5	10-14	8	20.0	32	24/22	HX-NFM20-12
	8-12	9	25.0	35	24/27	HX-NFM25-12
M25×1.5	10-14	9	25.0	35	24/27	HX-NFM25-14
	12-16	9	25.0	35	27	HX-NFM25-16
M32×1.5	13-18	9	25.0	35	30/27	HX-NFM25-18
	13-18	10	32.0	54	35	HX-NFM32-18
M32×1.5	15-22	10	32.0	54	35	HX-NFM32
	18-25	10	32.0	54	40/35	HX-NFM32-25
M40×1.5	18-25	11	40.0	46	40/45	HX-NFM40-25
	22-30	11	40.0	50	45	HX-NFM40-30
M40×1.5	25-33	11	40.0	52	50/45	HX-NFM40-33
	32-38	13	50.0	55	57/55	HX-NFM50
M50×1.5	37-44	14	63.0	55	64/68	HX-NFM63
	42-52	14	63.0	55	78/68	HX-NFM63-52

可选择 PG/G/NPT 螺纹定制 Customizable PG/G/NPT thread



特殊功能防水接头系列 Special Function Cable Gland Series

直角 90° 软管接头

90° Flexible Pipe Fitting

M / PG / G

CE ROHS IP68 REACH

材质: 黄铜镀镍 / 不锈钢 304/316L
护圈: TPE
密封垫: 改性橡胶
软管护口: 镀锌铁皮 / 不锈钢 304
防护等级: IP66
工作温度: 温度范围 -40°C至 105°C

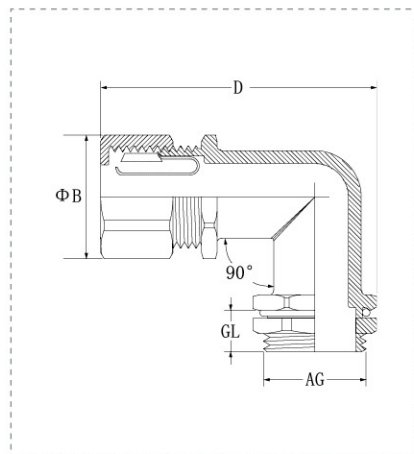
Material: Nickel plated brass/Stainless steel 304/316L
Retainer: TPE
Sealer: Modified rubber
Mouth: Galvanized iron sheet/Stainless steel 304
Protection degree: IP66
Temperature: From -40°C to 105°C

90° 接头主要用于链接 SPR-AS 软管

45° 接头主要用于链接 SPR-PVC-AS,SPR-PU-AS、金属软管

90° degree connector is mainly used to connector with SPR-AS flexible conduit.

45° degree connector is mainly used to connector with SPR-PVC-AS,SPR-PU-AS,metal flexible conduit.



规格参数 单位: mm

90°	45°	规格型号 size	适配软管 Conduit Size	ΦB	GL	D	扳手尺寸 Spanner size	产品编号 Code
6.5	6	M12/M14/M16	AD10	19	8	33	17	HX-NW "size"
10.0	8.5	M14/M16/M18	AD14	24	9	43	21	
12.5	11.5	M18/M20/M22	AD17/AD19	28	10	55	25	
16.5	15.5	M20/M22/25/M27	AD21	32.5	10	56	29	
21.5	20.5	M25/M27/M30/M32	AD27	39	14	73	34	
29.5	27.5	M32/M36/M40/M42	AD36	48	14	90	43	
38.0	36.5	M40/M42/M48/M50	AD45	58	14	105	55	
6.5	6	G1/4"/G3/8"	AD10	19	8	33	17	
10.0	8.5	G3/8"	AD14	24	9	43	21	
12.5	11.5	G3/8"/G1/2"	AD17/AD19	28	10	55	25	
16.5	15.5	G1/2"/G3/4"	AD21	32.5	10	56	29	
21.5	20.5	G3/4"	AD27	39	14	73	34	
29.5	27.5	G1"/G1-1/4"	AD36	48	14	90	43	
38.0	36.5	G1-1/4"/G1-1/2"	AD45	58	14	105	55	
6.5	6	PG7/PG9	AD10	19	8	33	17	
10.0	8.5	PG9/PG11	AD14	24	9	43	21	
12.5	11.5	PG11/PG13.5	AD17/AD19	28	10	55	25	
16.5	15.5	PG13.5/PG16	AD21	32.5	10	56	29	
21.5	20.5	PG16/PG21	AD27	39	14	73	34	
29.5	27.5	PG21/PG29	AD36	48	14	90	43	
38.0	36.5	PG29/PG36	AD45	58	14	105	55	



尼龙电缆接头

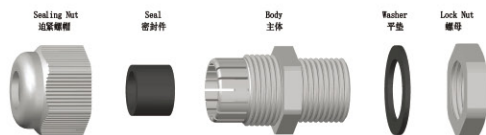
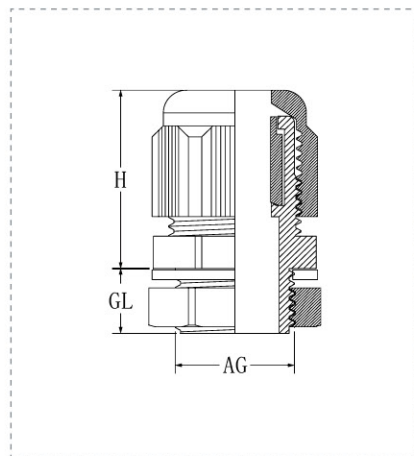
Nylon Cable Gland

M / M-Lengthen

CE ROHS IP68

材质: 采用 UL 认可的尼龙材料 PA66
 防水圈: 丁腈橡胶、硅橡胶等
 O 型圈: 丁腈橡胶、硅橡胶等
 防护等级: IP68
 工作温度: 静态: -40℃到 100℃, 短时间达 120℃
 动态: -20℃到 80℃, 短时间达 100℃
 颜色定制: 灰色、黑色其他颜色可以定制

Material: PA66 (Nylon) ,UL94-V2
 Hermetic seal: NBR,Silicone rubber
 O-Ring: NBR,Silicone rubber
 Protection degree: IP68
 Temperature: Static state: -40℃ to 100℃, short time to 120℃; Dynamic state: -20℃ to 80℃, short time to 100℃
 Color customization: Grey, Black, other color customized



规格参数 单位: mm

规格 Item	线径范围 Wire angle	螺纹长度 GL	螺纹外径 Thread O.D.	扳手径 Spanner size	产品编号 Code	规格 Item	线径范围 Wire angle	螺纹长度 GL	螺纹外径 Thread O.D.	扳手径 Spanner size	产品编号 Code
M12×1.5	3-6.5	9	12	18/16	HX-NLM12	M12×1.5	3-6.5	15	12	18/16	HX-NLM12L
M12×1.5	4-8	8	12	18/16	HX-NLM12-8	M12×1.5	4-8	15	12	18/16	HX-NLM12-8L
M16×1.5	4-8	9	16	22/19	HX-NLM16	M16×1.5	4-8	15	16	22/19	HX-NLM16L
M16×1.5	5-10	8	16	22/19	HX-NLM16-10	M16×1.5	5-10	15	16	22/19	HX-NLM16-10L
M18×1.5	5-10	9	18	24/22	HX-NLM18	M18×1.5	5-10	15	18	24/22	HX-NLM18L
M20×1.5	6-11	10	20	27/24	HX-NLM20	M20×1.5	6-11	15	20	27/24	HX-NLM20L
M20×1.5	10-14	9	20	27/24	HX-NLM20-14	M20×1.5	10-14	15	20	27/24	HX-NLM20-14L
M22×1.5	10-13	10	22	30/27	HX-NLM22	M22×1.5	10-13	15	22	30/27	HX-NLM22L
M25×1.5	12-15	11	25	31/28	HX-NLM25	M25×1.5	12-15	15	25	31/28	HX-NLM25L
M25×1.5	13-18	11	25	31/28	HX-NLM25-18	M25×1.5	13-18	15	25	31/28	HX-NLM25-18L
M27×1.5	13-18	12	27	35/33	HX-NLM27	M27×1.5	13-18	15	27	35/33	HX-NLM27L
M30×1.5	16-21	12	30	37/35	HX-NLM30	M30×1.5	16-21	15	30	37/35	HX-NLM30L
M32×1.5	16-21	12	32	38/35	HX-NLM32	M32×1.5	16-21	15	32	38/35	HX-NLM32L
M36×1.5	18-25	12	36	45/42	HX-NLM36	M36×1.5	18-25	15	36	45/42	HX-NLM36L
M40×1.5	22-32	15	40	52/52	HX-NLM40	M40×1.5	22-32	18	40	52/52	HX-NLM40L
M50×1.5	32-38	18	50	62/58	HX-NLM50	M50×1.5	32-38	20	50	62/58	HX-NLM50L
M63×1.5	37-44	18	63	72/64	HX-NLM63	M63×1.5	37-44	20	63	72/64	HX-NLM63L



尼龙电缆接头

Nylon Cable Gland

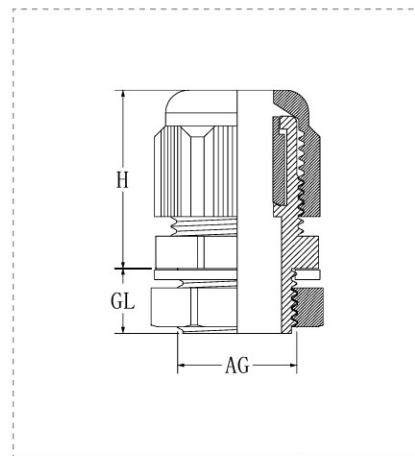
PG / PG-Lengthen

CE ROHS IP68

材质: 采用 UL 认可的尼龙材料 PA66
 防水圈: 丁腈橡胶、硅橡胶等
 O 型圈: 丁腈橡胶、硅橡胶等
 防护等级: IP68
 工作温度: 静态: -40℃到 100℃, 短时间达 120℃
 动态: -20℃到 80℃, 短时间达 100℃
 颜色定制: 灰色、黑色其他颜色可以定制

Material: PA66 (Nylon) ,UL94-V2
 Hermetic seal: NBR,Silicone rubber
 O-Ring: NBR,Silicone rubber
 Protection degree: IP68
 Temperature: Static state: -40℃ to 100℃, short time to 120℃; Dynamic state: -20℃ to 80℃, short time to 100℃

Color customization: Grey, Black, other color customized



规格参数 单位: mm

规格 Item	适用范围 Φ Range	螺纹长度 GL Thread Length	螺纹外径 AG Thread O.D.	扳手径 Φ Spanner size	产品编号 Code
PG7	3-6.5	9	12.5	18/16	HX-NLPG7
PG9	4-8	9	15.2	22/19	HX-NLPG9
PG11	5-10	9	18.6	24/22	HX-NLPG11
PG13.5	6-11	10	20.4	27/24	HX-NLPG13.5
PG16	10-13	10	22.5	30/27	HX-NLPG16
PG21	13-18	12	28.3	35/33	HX-NLPG21
PG29	18-25	12	37.0	45/42	HX-NLPG29
PG36	22-32	15	47.0	58/52	HX-NLPG36
PG42	32-38	18	54.0	62/58	HX-NLPG42
PG48	37-44	18	59.3	70/64	HX-NLPG48
PG7L	3-6.5	15	12.5	18/16	HX-NLPG7L
PG9L	4-8	15	15.2	22/19	HX-NLPG9L
PG11L	5-10	15	18.6	24/22	HX-NLPG11L
PG13.5L	6-11	15	20.4	27/24	HX-NLPG13.5L
PG16L	10-13	15	22.5	30/27	HX-NLPG16L
PG21L	13-18	15	28.3	35/33	HX-NLPG21L
PG29L	18-25	15	37.0	45/42	HX-NLPG29L
PG36L	22-32	18	47.0	58/52	HX-NLPG36L
PG42L	32-38	20	54.0	62/58	HX-NLPG42L
PG48L	37-44	20	59.3	70/64	HX-NLPG48L



尼龙加强型电缆接头

Nylon Reinforced Cable Gland

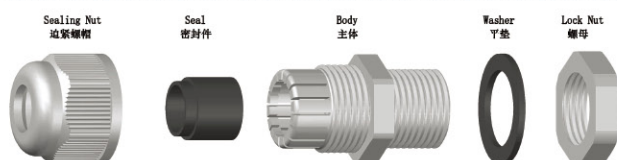
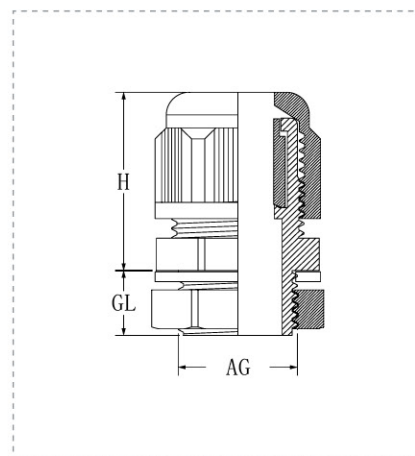
M

CE ROHS IP68

材质: 采用 UL 认可的尼龙材料 PA66
 防水圈: 丁腈橡胶、硅橡胶等
 O 型圈: 丁腈橡胶、硅橡胶等
 防护等级: IP68
 工作温度: 静态: -40℃到 100℃, 短时间达 120℃
 动态: -20℃到 80℃, 短时间达 100℃
 颜色定制: 灰色、黑色其他颜色可以定制

Material: PA66 (Nylon) ,UL94-V2
 Hermetic seal: NBR,Silicone rubber
 O-Ring: NBR,Silicone rubber
 Protection degree: IP68
 Temperature: Static state: -40℃ to 100℃, short time to 120℃; Dynamic state: -20℃ to 80℃, short time to 100℃

Color customization: Grey, Black, other color customized



规格参数 单位: mm

螺牙规格 Screw spec	电缆范围 Φ	螺纹外径 AG	螺纹长度 GL	扳手径 A&F	编号 Code	螺牙规格 Screw spec	电缆范围 Φ	螺纹外径 AG	螺纹长度 GL	扳手径 A&F	编号 Code	
M10x1.5	2.5-6	10	8	12/15	HX-NLM10B	M20x1.5	8.5-14	20	15	27/27	HX-NLM20L-14B	
M12x1.5	3-6.5	12	8.5	18/15	HX-NLM12B	M20x1.5	6-11	20	15	27/27	HX-NLM20L-11B	
	4-8	12	8.5	18/19	HX-NLM12-8B		M22x1.5	9-14	22	10	29/27	HX-NLM22-14B
	3-6.5	12	15	18/15	HX-NLM12LB	M25x1.5		6-11	22	10	29/27	HX-NLM22-11B
	4-8	12	15	18/19	HX-NLM12L-8B		M25x1.5	8.5-14	25	11.6	33/27	HX-NLM25-14B
M16x1.5	4-8	16	10	22/19	HX-NLM16-8B	6-10.5		25	11.6	33/27	HX-NLM25-10.5B	
	6-10	16	10	22/22	HX-NLM16-10B	6-11		25	11.6	33/27	HX-NLM25-11B	
	4-7	16	10	22/22	HX-NLM16-7B	M32x1.5		12.5-18	25	11.6	33/33	HX-NLM25-18B
	4-8	16	15	22/19	HX-NLM16L-8B			7-13	25	11.6	33/33	HX-NLM25-13B
	6-10	16	15	22/22	HX-NLM16L-10B			12.5-18	25	15	33/33	HX-NLM25L-18B
M18x1.5	4-7	16	15	22/22	HX-NLM16L-7B	M36x1.5	7-13	25	15	33/33	HX-NLM25L-13B	
	6-10	18	10	24/22	HX-NLM18-10B		M40x1.5	18-25	32	15	41/41	HX-NLM32L-25B
	4-7	18	10	24/22	HX-NLM18-7B	8-12		32	15	41/41	HX-NLM32L-12B	
	6-10	18	15	24/22	HX-NLM18L-10B	M50x1.5	18-25	36	12	45/41	HX-NLM36-25B	
M20x1.5	6-12	20	10	27/24	HX-NLM20-12B		M63x1.5	24-32	40	15	50/50	HX-NLM40-32B
	5-9	20	10	27/24	HX-NLM20-9B	M40x1.5		18-25	40	15	50/50	HX-NLM40-25B
	8.5-14	20	10	27/27	HX-NLM20-14B		M50x1.5	31-41	50	15	62/62	HX-NLM50-41B
	6-12	20	10	27/27	HX-NLM20-12B	M50x1.5		22-28	50	15	62/62	HX-NLM50-28B
	6-12	20	15	27/24	HX-NLM20L-12B		M63x1.5	35-45	63	18	75/65	HX-NLM63-45B
	5-9	20	15	27/24	HX-NLM20L-9B							



尼龙加强型电缆接头

Nylon Reinforced Cable Gland



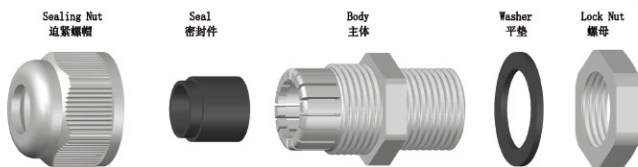
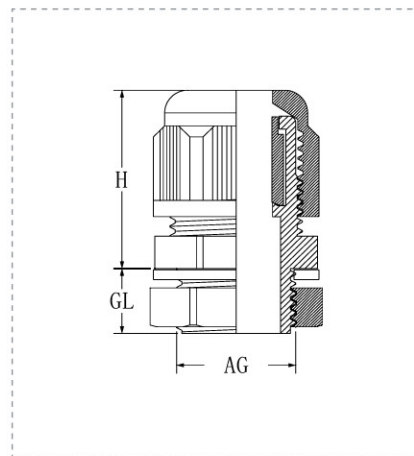
PG

CE ROHS IP68

材质: 采用 UL 认可的尼龙材料 PA66
 防水圈: 丁腈橡胶、硅橡胶等
 O 型圈: 丁腈橡胶、硅橡胶等
 防护等级: IP68
 工作温度: 静态: -40℃到 100℃, 短时间达 120℃
 动态: -20℃到 80℃, 短时间达 100℃
 颜色定制: 灰色、黑色其他颜色可以定制

Material: PA66 (Nylon), UL94-V2
 Hermetic seal: NBR, Silicone rubber
 O-Ring: NBR, Silicone rubber
 Protection degree: IP68
 Temperature: Static state: -40℃ to 100℃, short time to 120℃; Dynamic state: -20℃ to 80℃, short time to 100℃

Color customization: Grey, Black, other color customized



规格参数 单位: mm

螺牙规格 Screw spec	电缆范围 Φ	螺纹长度 GL	螺纹外径 AG	扳手径 A&F	编号 Code	螺牙规格 Screw spec	电缆范围 Φ	螺纹长度 GL	螺纹外径 AG	扳手径 A&F	编号 Code
PG7	3-6.5	8.5	12.5	17/15	HX-NLPG7-6.5B	G3/8"	6-10	10	16.662	22/22	HX-NLG3/8-10B
	4-8	8.5	12.5	17/19	HX-NLPG7-8B		4-7	10	16.662	22/22	HX-NLG3/8-7B
PG9	4-8	8.5	15.2	22/19	HX-NLPG9-8B	G1/2"	6-12	10	20.955	27/24	HX-NLG1/2-12B
PG11	6-10	10	18.6	24/22	HX-NLPG11-10B		5-9	10	20.955	27/24	HX-NLG1/2-9B
	4-7	10	18.6	24/22	HX-NLPG11-7B	G3/4"	12.5-18	12	26.441	33/33	HX-NLG3/4-18B
PG13.5	6-12	10	20.4	27/24	HX-NLPG13.5-12B		7-13	12	26.441	33/33	HX-NLG3/4-13B
	5-9	10	20.4	27/24	HX-NLPG13.5-9B	G1"	18-25	13.5	33.2	42/41	HX-NLG1-25B
PG16	8.5-14	10.8	22.5	30/27	HX-NLPG16-14B		8-12	13.5	33.2	42/41	HX-NLG1-12B
	6-11	10.8	22.5	30/27	HX-NLPG16-11B	G1-1/4"	24-32	15	41.9	51/50	HX-NLG1-1/4B
PG19	8.5-14	11	23.5	30/27	HX-NLPG19-14B		18-25	15	41.9	51/50	HX-NLG1-1/4-25B
	6-11	11	22.5	30/27	HX-NLPG19-11B	NPT3/8"	6-10	10	16.662	22	HX-NLNPT3/8-10B
PG21	12.5-18	12	28.3	36/33	HX-NLPG21-18B		4-7	10	16.662	22	HX-NLNPT3/8-7B
	7-13	12	28.3	36/33	HX-NLPG21-13B	NPT1/2"	6-12	10	20.955	27	HX-NLNPT1/2-12B
PG25	14-20	13	30	36/37	HX-NLPG25-20B		5-9	10	20.955	27	HX-NLNPT1/2-9B
PG29	18-25	15	37	46/41	HX-NLPG29-25B	NPT3/4"	12.5-18	15	26.441	33	HX-NLNPT3/4-18B
	8-12	15	37	46/41	HX-NLPG29-12B		7-13	15	26.441	33	HX-NLNPT3/4-13B
PG36	24-32	15	47	57/50	HX-NLPG36-32B	NPT1"	18-25	17	33.5	41	HX-NLNPT1-25B
	18-25	15	47	57/50	HX-NLPG36-25B		8-12	17	33.5	41	HX-NLNPT1-12B
PG42	31-41	15.5	54	64/62	HX-NLPG42-41B	NPT1-1/4"	24-32	17	42	50	HX-NLNPT1-1/4-32B
	22-28	15.5	54	64/62	HX-NLPG42-28B		18-25	17	42	50	HX-NLNPT1-1/4-25B
PG48	35-45	15.5	59.3	70/65	HX-NLPG48-45B						



尼龙电缆接头系列 Nylon Cable Gland Series

尼龙分体式电缆接头

Nylon Split Cable Gland



M / PG

CE ROHS IP68

材质: 采用 UL 认可的尼龙材料 PA66

防水圈: 丁腈橡胶、硅橡胶等

O 型圈: 丁腈橡胶、硅橡胶等

防护等级: IP68

工作温度: 静态: -40°C 到 100°C, 短时间达 120°C

动态: -20°C 到 80°C, 短时间达 100°C

颜色定制: 灰色、黑色其他颜色可以定制

Material: PA66 (Nylon), UL94-V2

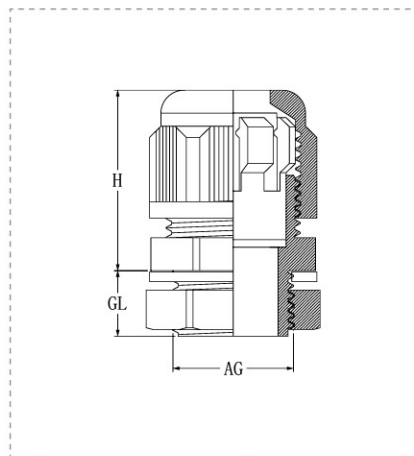
Hermetic seal: NBR, Silicone rubber

O-Ring: NBR, Silicone rubber

Protection degree: IP68

Temperature: Static state: -40°C to 100°C, short time to 120°C; Dynamic state: -20°C to 80°C, short time to 100°C

Color customization: Grey, Black, other color customized



规格参数 单位: mm

螺牙规格 Screw spec	电缆范围 Φ	螺纹长度 GL	螺纹外径 AG	扳手径 A&F	产品编号 Code	螺牙规格 Screw spec	电缆范围 Φ	螺纹长度 GL	螺纹外径 AG	扳手径 A&F	产品编号 Code
MG12	4-8	8.50	12.00	18/19	HX-MG12-8	MPG7	4-8	8.5	12.5	17/19	HX-MPG7-8
	3-6.5	8.50	12.00	18/19	HX-MG12-6.5		3-6.5	8.5	12.5	17/19	HX-MPG7-6.5
	3-6.7	8.50	12.00	18/19	HX-MG12-6.7		3-6.7	8.5	12.5	17/19	HX-MPG7-6.7
	3-5.5	8.50	12.00	18/19	HX-MG12-5.5		3-5.5	8.5	12.5	17/19	HX-MPG7-5.5
MG16	4-8	10.00	16.00	22/19	HX-MG16-8	MPG9	4-8	8.5	15.2	22/19	HX-MPG9-8
	6-10	10.00	16.00	22/22	HX-MG16-10		3-5.5	8.5	15.2	22/19	HX-MPG9-5.5
	4-7	10.00	16.00	22/22	HX-MG16-7		6-10	10	18.6	24/22	HX-MPG11-10
MG20	2-5	10.00	16.00	22/22	HX-MG16-5	MPG11	2-5	10	18.6	24/22	HX-MPG11-5
	6-12	10.00	20.00	27/24	HX-MG20-12		4-7	10	18.6	24/22	HX-MPG11-7
	5-9	10.00	20.00	27/24	HX-MG20-9		7-12.5	10	20.4	27/24	HX-MPG13.5-12.5
MG22	8.5-14	15.00	20.00	27/27	HX-MG20-14	MPG13.5	6-10.5	10	20.4	27/24	HX-MPG13.5-10.5
	6-11	15.00	20.00	27/27	HX-MG20-11		5-9	10	20.4	27/24	HX-MPG13.5-9
	9-14	10.00	22.00	29/27	HX-MG22-14		8.5-14	10.8	22.5	30/27	HX-MPG16-14
MG25	6-11	10.00	22.00	29/27	HX-MG22-11	MPG16	6-11	10.8	22.5	30/27	HX-MPG16-11
	12.5-18	15.00	25.00	33/33	HX-MG25-18		12.5-18	12	28.3	36/33	HX-MPG21-18
MG32	10-16	15.00	25.00	33/33	HX-MG25-16	MPG21	10-16	12	28.3	36/33	HX-MPG21-16
	18-25	15.00	32.00	41/41	HX-MG32-25		18-25	15	37	46/41	HX-MPG29-25
MG40	15-22	15.00	32.00	41/41	HX-MG32-22	MPG29	15-22	15	37	46/41	HX-MPG29-22
	24-32	20.00	40.00	50/50	HX-MG40-32		24-32	15	47	57/50	HX-MPG36-32
MG50	20-26	20.00	40.00	50/50	HX-MG40-26	MPG36	20-26	15	47	57/50	HX-MPG36-26
	31-41	22.00	50.00	62/62	HX-MG50-41		31-41	15.5	54	64/62	HX-MPG36-41
MG63	26-32	22.00	50.00	62/62	HX-MG50-32	MPG42	26-32	15.5	54	64/62	HX-MPG36-32
	44-51	25.00	63.00	75/78	HX-MG63-51						
MG75	39-46	25.00	63.00	75/78	HX-MG63-46						
	56-66	25.00	75.00	92/92	HX-MG75-66						
MG90	50-56	25.00	75.00	92/92	HX-MG75-56						
	66-77	25.00	90.00	110/110	HX-MG90-77						
	58-68	25.00	90.00	110/110	HX-MG90-68						



尼龙电缆接头系列 Nylon Cable Gland Series

船用填料函

Marine Cable Gland-JIS standard Type

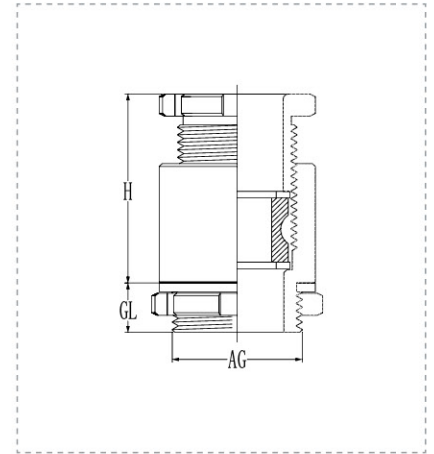


JIS

CE ROHS IP68 REACH

材质: 镀铬黄铜
 密封件: 丁腈橡胶、硅橡胶
 防水圈: 丁腈橡胶、硅橡胶
 垫圈: 镀锌铁环
 防水等级: IP54
 工作温度: 静态: -40°C到 100°C, 短时间达 120°C
 动态: -20°C到 80°C, 短时间达 100°C

Material: Chromium-plated brass
 Hermetic seal: NBR、Silicone rubber
 O-Ring: NBR、Silicone rubber
 Metal Washer: Nickel-plated hoop
 Protection degree: IP54
 Temperature: Static state: -40°C to 100°C, Short time to 120°C; Dynamic state: -20°C to 80°C, Short time to 100°C



规格参数 单位: mm

规格 Item	螺纹 Thread	适用范围 Range	螺纹长度 GL	螺纹外径 AG	扳手径 Spanner size	产品编号 Code	规格 Item	螺纹 Thread	适用范围 Range	螺纹长度 GL	螺纹外径 AG	扳手径 Spanner size	产品编号 Code
JIS 10	3/8"	6-7	11	16.6	Φ22/28	HX-JIS10A	JIS 45	2"	34-36	12	59.6	Φ68/76	HX-JIS45A
		7-8				HX-JIS10B			36-38				HX-JIS45B
JIS 15	1/2"	8-9	11	20.9	Φ28/31	HX-JIS15A	JIS 50	2"	36-40	12	59.6	Φ68/76	HX-JIS45C
		9-10				HX-JIS15B			40-42				HX-JIS50A
		9-11				HX-JIS15C			42-44				HX-JIS50B
JIS 20	3/4"	11-12	11	26.4	Φ34/37	HX-JIS20A	JIS 55	2-1/2"	40-44	12	75.1	Φ84/94	HX-JIS50C
		12-13				HX-JIS20B			44-46				HX-JIS55A
		12-15				HX-JIS20C			46-48				HX-JIS55B
JIS 25	1"	15-16	11	33.2	Φ41/45	HX-JIS25A	JIS 60	2-1/2"	46-50	12	75.1	Φ84/94	HX-JIS55C
		16-18				HX-JIS25B			50-52				HX-JIS60A
		16-20				HX-JIS25C			52-54				HX-JIS60B
JIS 30	1-1/4"	20-22	12	41.9	Φ49/56	HX-JIS30A	JIS 65	3	52-56	14	88.0	Φ98/112	HX-JIS60C
		22-24				HX-JIS30B			56-58				HX-JIS65A
		22-26				HX-JIS30C			58-60				HX-JIS65B
JIS 35	1-1/2"	26-28	12	47.8	Φ56/62	HX-JIS35A	JIS 70	3	60-62	14	88.0	Φ98/112	HX-JIS70A
		28-30				HX-JIS35B			62-64				HX-JIS70B
		26-30				HX-JIS35C			64-66				HX-JIS75A
		30-32				HX-JIS40A			66-70				HX-JIS75B
JIS 40	1-1/2"	32-34	12	47.8	Φ56/62	HX-JIS40B	JIS 75	3	66-70	14	88.0	Φ98/112	
		30-34				HX-JIS40C							



填函系列 Marine Cable Gland Series

船用填料函

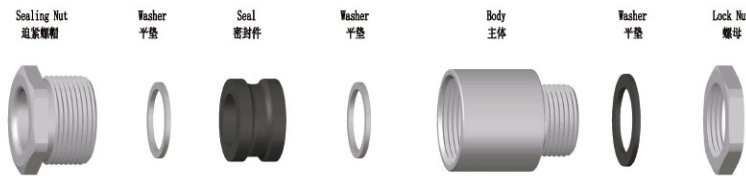
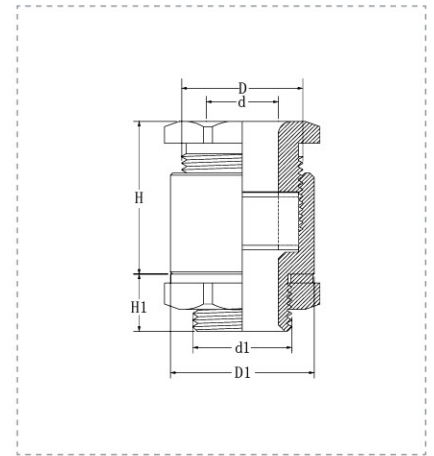
Marine Cable Gland-TJ Clamping Type

TJ

CE ROHS IP68 REACH

材质: 镀铬黄铜
 密封件: 丁腈橡胶、硅橡胶
 防水圈: 丁腈橡胶、硅橡胶
 垫圈: 镀锌铁环
 防水等级: IP54
 工作温度: 静态: -40℃到 100℃, 短时间达 120℃
 动态: -20℃到 80℃, 短时间达 100℃

Material: Chromium-plated brass
 Hermetic seal: NBR、Silicone rubber
 O-Ring: NBR、Silicone rubber
 Metal Washer: Nickel-plated hoop
 Protection degree: IP54
 Temperature: Static state: -40℃ to 100℃, Short time to 120℃; Dynamic state: -20℃ to 80℃, Short time to 100℃



规格参数 单位: mm

规格 Item	适用范围 Φ Range	螺纹规格 Thread		螺纹长度 H1 Thread Length	主体外径 D1 Body Outer Diameter	接合长度 H Joint Length	扳手径 Spanner size	产品编号 Code
		D	d1					
TJ 8	5-7	M16×1	M14×1	9	19	32	18	HX-TJ8
TJ 13	6-12	M20×1	M18×1	10	24	35	22	HX-TJ13
TJ 16	11-15	M27×1.5	M22×1.5	12	31	40	30	HX-TJ16
TJ 19	14-18	M30×1.5	M27×1.5	12	34.5	42	32	HX-TJ19
TJ 24	17-23	M35×1.5	M30×1.5	12	40	44	36	HX-TJ24
TJ 28	22-27	M42×2	M36×1.5	15	46.5	46	45	HX-TJ28
TJ 34	26-33	M47×2	M42×2	15	54	49	50	HX-TJ34
TJ 42	32-41	M55×2	M52×2	15	60	54	57/59	HX-TJ42
TJ 50	40-49	M62×2	M58×2	15	69	56	64/68	HX-TJ50
TJ 58	48-57	M71×2	M68×2	20	77.5	56	76	HX-TJ58



船用填料函

Marine Cable Gland-TH Welded Type

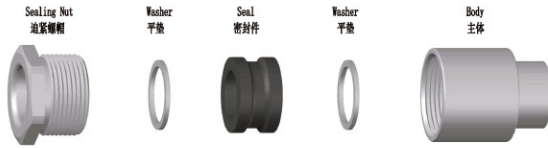
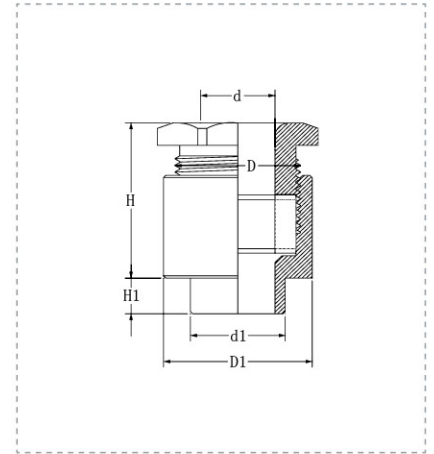


TH

CE ROHS IP68 REACH

材质: 黄铜, 镀锌铁
 密封件: 丁腈橡胶、硅橡胶
 防水圈: 丁腈橡胶、硅橡胶
 垫圈: 镀锌铁环
 防水等级: IP54
 工作温度: 静态: -40℃到 100℃, 短时间达 120℃
 动态: -20℃到 80℃, 短时间达 100℃

Material: Brass, Galvanized iron
 Hermetic seal: NBR, Silicone rubber
 Metal Washer: Nickel-plated hoop
 Protection degree: IP54
 Temperature: Static state: -40℃ to 100℃, Short time to 120℃; Dynamic state: -20℃ to 80℃, Short time to 100℃



规格参数 单位: mm

规格 Item	适用范围 Φ Range	螺纹规格 D Thread	焊接长度 H1 Welded Length	安装孔径 d1 Mounting hole	接合长度 H Joint Length	扳手径 Φ Spanner size	产品编号 Code
TH-8	5-7	M16×1	3	13	32	18	HX-TH8
TH-13	6-12	M20×1	8	17	35	22	HX-TH13
TH-16	11-15	M27×1.5	8	22	40	30	HX-TH16
TH-19	14-18	M30×1.5	8	24	42	32	HX-TH19
TH-24	17-23	M35×1.5	8	30	44	36	HX-TH24
TH-28	22-27	M42×2	8	35	46	45	HX-TH28
TH-34	26-33	M47×2	8	42	49	50	HX-TH34
TH-42	32-41	M55×2	8	50	54	57	HX-TH42
TH-50	40-49	M62×2	8	58	56	64	HX-TH50
TH-58	48-57	M71×2	8	66	56	76	HX-TH58



单压缩式填料函

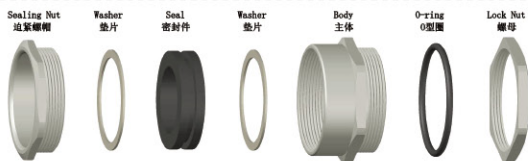
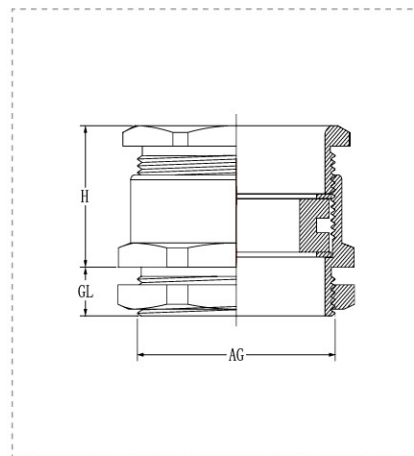
Single Compression Type Cable Gland

DCG

CE ROHS IP68 REACH

材质: 镀镍黄铜
 密封件: 丁腈橡胶、硅橡胶
 防水圈: 丁腈橡胶、硅橡胶
 垫圈: 镀锌铁环
 防水等级: IP54
 工作温度: 静态: -40°C到 100°C, 短时间达 120°C
 动态: -20°C到 80°C, 短时间达 100°C

Material: Nickel-plated brass
 Hermetic seal: NBR, Silicone rubber
 O-Ring: NBR, Silicone rubber
 Metal Washer: Nickel-plated hoop
 Protection degree: IP54
 Temperature: Static state: -40°C to 100°C, Short time to 120°C; Dynamic state: -20°C to 80°C, Short time to 100°C



规格参数 单位: mm

规格 Item	螺纹 Thread	适用范围 Φ Range	螺纹长度 GL Thread Length	螺纹外径 AG Thread O.D.	接合长度 H Joint Length	扳手径 \varnothing Spanner size	产品编号 Code
DCG7	PG7	5-6.5	5.0	12.5	16.5	14/15	HX-DCG7
DCG9	PG9	6-8	6.2	15.2	17.5	16/18	HX-DCG9
DCG11	PG11	8-11	6.5	18.6	17.5	20/21	HX-DCG11
DCG13.5	PG13.5	9-11.5	7.5	20.4	20.5	22/23	HX-DCG13.5
DCG16	PG16	11-14	8.0	22.5	22.2	24/26	HX-DCG16
DCG21	PG21	15-17.5	8.0	28.3	23.5	30/32	HX-DCG21
DCG29	PG29	20-23	8.0	37.0	25.5	40/41	HX-DCG29
DCG36	PG36	29-31	10.0	47.0	29.0	50/52	HX-DCG36
DCG42	PG42	32-38	11.0	54.0	33.0	57/57	HX-DCG42
DCG48	PG48	37-44	12.0	59.3	34.0	64/64	HX-DCG48

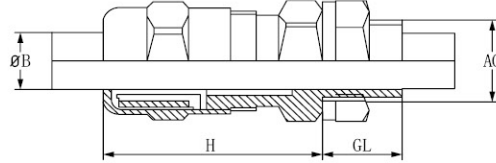


HX-EX-1

CE ROHS Ex REACH

材质: 黄铜 / 不锈钢 304/316L
 表面: 镀镍 / 钝化
 密封件: 硅橡胶、氟丁橡胶
 防爆标识: Exd IIC Gb
 阻燃等级: UL94-V0
 防护等级: IP66-10 巴压力
 工作温度: 静态 -60°C至 100°C 短时间 120°C
 动态 -20°C至 80°C短时间 100°C不含卤化物

Material: Brass/SS304/SS316L
 Surface treatment: Nickel plated, Passivation
 Sealing material: Silicone rubber, Neoprene
 Explosion-proof: Exd IIC Gb
 Flame retardant degree: UL94-V0
 Protection degree: IP66-10 bar
 Temperature: Static state: -60°C to 100°C, short time to 120°C
 Dynamic state: -20°C to 80°C, short time to 100°C



规格参数 单位: mm

型号规格 Item	适用电缆范围 Application cable range		铠装 / 编织 Armor/Knit		AG		L	GL	六角尺寸 Hex size	
	外护套 Outer sheath	内护套 Inner sheath	方向 1 Dirction 1	方向 2 Dirction 2	公制 Metric	英制 Inch			对边 Across flats	对角 Across orner
HX-EX-1-1Ka	Φ5-Φ8	Φ3-Φ5	0.9/1.25	0/0.7	M20×1.5	1/2"	30	15	24	28
HX-EX-1-1Kb	Φ6-Φ10	Φ4-Φ8	0.9/1.25	0/0.7	M20×1.5	1/2"	30	15	24	28
HX-EX-1-1K	Φ9-Φ14	Φ6-Φ11	0.9/1.25	0/0.7	M20×1.5	1/2"	30	15	24	28
HX-EX-1-2K	Φ13-Φ18	Φ9-Φ14	0.9/1.25	0/0.7	M20×1.5	1/2"	32	15	30	35
HX-EX-1-3Ka	Φ15-Φ21	Φ11-Φ17	1.25/1.6	0/0.7	M25×1.5	3/4" 1"	35	15	36	42
HX-EX-1-3K	Φ17-Φ24	Φ13-Φ20	1.25/1.6	0/0.7	M25×1.5	3/4" 1"	35	15	40	47
HX-EX-1-4Ka	Φ20-28	Φ16-23	1.6/2.0	0.6/1.2	M32×1.5	1" 1 1/4"	39	15	46	53
HX-EX-1-4K	Φ23-Φ32	Φ18-Φ26	1.6/2.0	0.6/1.2	M32×1.5	1" 1 1/4"	39	15	46	53
HX-EX-1-5Ka	Φ26-Φ35	Φ21-Φ29	1.6/2.0	0.6/1.2	M40×1.5	1 1/4" 1 1/2"	43	15	55	64
HX-EX-1-5K	Φ31-Φ38	Φ25-Φ32	1.6/2.0	0.6/1.2	M40×1.5	1 1/4" 1 1/2"	43	15	55	64
HX-EX-1-6Ka	Φ34-Φ41	Φ28-Φ35	1.6/2.0	0.6/1.2	M50×1.5	1 1/2" 2"	48	15	65	75
HX-EX-1-6K	Φ37-Φ44	Φ31-Φ38	1.8/2.5	0.6/1.2	M50×1.5	1 1/2" 2"	48	15	65	75
HX-EX-1-7Ka	Φ40-Φ50	Φ33-Φ43	1.8/2.5	0.6/1.2	M63×1.5	2" 2 1/2"	53	16	80	92
HX-EX-1-7K	Φ43-Φ55	Φ36-Φ47	1.8/2.5	0.6/1.2	M63×1.5	2" 2 1/2"	53	16	80	92
HX-EX-1-8Ka	Φ50-Φ63	Φ42-Φ53	1.8/2.5	1.0/1.5	M75×1.5	2 1/2" 3"	58	16	96	111
HX-EX-1-8K	Φ54-Φ68	Φ45-Φ58	1.8/2.5	1.0/1.5	M75×1.5	2 1/2" 3"	58	16	86	111
HX-EX-1-9Ka	Φ62-Φ72	Φ52-Φ62	1.8/2.5	1.0/1.5	M87×1.5	3" 3 1/2"	64	18	114	134
HX-EX-1-9K	Φ67-Φ79	Φ56-Φ67	1.8/2.5	1.0/1.5	M87×1.5	3" 3 1/2"	64	18	114	134
HX-EX-1-10Ka	Φ78-Φ89	Φ65-Φ75	1.8/2.5	1.0/1.5	M100×1.5	4"	70	18	128	148
HX-EX-1-10K	Φ88-Φ104.5	Φ74-Φ91	1.8/2.5	1.0/1.5	M100×1.5	4"	70	18	128	148

依据可以安装要求: 可提供 GL 螺纹加长
 Customization: Accept lengthen GL thread.



双密封铠装防爆填料函

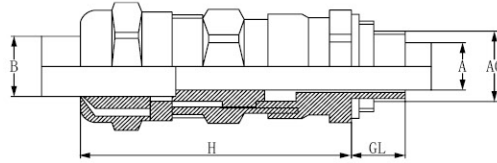
Double seal armored CBTL

HX-EX-2

CE ROHS Ex REACH

表面: 镀镍 / 钝化
 密封件: 硅橡胶、氟丁橡胶
 防爆标识: Exd IIC Gb
 阻燃等级: UL94-V0
 防护等级: IP66-10 巴压力
 工作温度: 静态 -60℃至 100℃ 短时间 120℃
 动态 -20℃至 80℃短时间 100℃不含卤化物

Surface treatment: Nickel plated, Passivation
 Sealing material: Silicone rubber, Neoprene
 Explosion-proof mark: Exd IIC Gb
 Flame retardant degree: UL94-V0
 Protection degree: IP66-10bar
 Temperature: Static state: -60℃ to 100℃, short time to 120℃
 Dynamic state: -20℃ to 80℃, short time to 100℃



规格参数 单位: mm

型号规格 Item	入口螺纹尺寸 Insert thread size		电缆验收细节 Cable acceptance detail							最大长度 Maximum length (H)	GL	六角尺寸 Hex size	
			内鞘 / 芯线 Inner sheath/core line			电缆外径 Outer diameter of cable (B)						对边 Across flats	对角 Across corner
	公制 Metric	NPT.G	芯线上最大 Coreline maximum	内大内鞘 Inner sheath	最大芯线度 Maximum core line	最小 Min	最大 Max	方向 1 Direction 1	方向 2 Direction 2				
HX-EX-2-01o	M20×1.5	1/2"	9	10	6	5.5	12	0.9/1.25	0/0.7	65.5	15	24	27.7
HX-EX-2-01S	M20×1.5	1/2"	9	10	6	9.5	16	0.9/1.25	0/0.7	65.5	15	24	27.7
HX-EX-2-02	M20×1.5	1/2"-3/4"	11.2	12.5	10	12.5	20.5	0.9/1.25	0/0.7	67.5	15	30	34.6
HX-EX-2-03	M25×1.5	3/4"-1"	16.3	18.4	21	16.9	26	1.25/1.6	0/0.7	71.4	15	36	41.6
HX-EX-2-04	M32×1.5	1"-1 1/4"	22	24.7	42	22	33	1.6/2.0	0/0.7	76	15	46	53.1
HX-EX-2-05	M40×1.5	1 1/4"-1 1/2"	26.5	29.7	60	28	41	1.8/2.5	0/0.7	78.2	15	55	63.5
HX-EX-2-06	M50×1.5	1-1/2"-2"	37.2	41.7	80	36	52.6	1.8/2.5	0/1	91	15	65	75.1
HX-EX-2-07	M63×1.5	2"-2 1/2"	47.6	53.5	100	46	65.3	1.8/2.5	0/1	98	15	80	92.4
HX-EX-2-08	M75×2	2 1/2"-3"	60	65.3/66.2	120	57	78	1.8/2.5	0/1	102.2	15	95	109.6

依据可以安装要求: 可提供 GL 螺纹加长
 Customization: Accept lengthen GL thread.



防爆电缆夹紧固密封接头

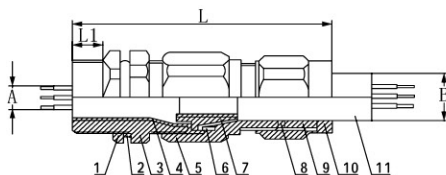
Explosion-proof Cable Clamp Sealing Joint

HX-EX-3

CE ROHS Ex REACH

材质: 黄铜 / 不锈钢 304/316L
 表面: 镀镍 / 钝化
 密封件: 硅橡胶、氟丁橡胶
 防爆标识: Exd IIC Gb
 阻燃等级: UL94-V0
 防护等级: IP66-10 巴压力
 工作温度: 静态 -60°C至 100°C 短时间 120°C
 动态 -20°C至 80°C短时间 100°C不含卤化物

Material: Brass/SS304/SS316L
 Surface treatment: Nickel plated, Passivation
 Sealing material: Silicone rubber, Neoprene
 Explosion-proof: Exd IIC Gb
 Flame retardant degree: UL94-V0
 Protection degree: IP66-10 bar
 Temperature: Static state: -60°C to 100°C, short time to 120°C
 Dynamic state: -20°C to 80°C, short time to 100°C



1.螺母 2.密封圈 3.入口接体 4.隔爆衬套
 5.中接体 6.罩圈 7.锥度套 8.垫片 9.密封圈
 10.压紧螺母 11.铠装电缆

1.nut 2.sealing ring 3.inlet connecting body
 4.explosion proof bushing 5.middle connecting body
 6.cover ring 7.taper sleeve 8.gasket
 9.seal ring 10.nut 11. armored cable

规格参数 单位: mm

公制螺纹 M Metric	英制螺纹 G Inch	电缆外径 Outer diameter cable		螺纹长度 L1 Thread length	长度 L length	长度 L2 length	防爆标志 EX-mark	防护等级 Protection degree
		出线 Outlet line A	进线 incoming line B					
M16×1.5	—	8	7—15	15	68	85	Exd IIC Gb	IP66
M20×1.5	G1/2	8	7—15	15	68	85		
M25×1.5	G3/4	13	11—20	15	72	87		
M32×1.5	G1	16	14-25	17	77	92		
M40×1.5	G1 1/4	21	19-33	17	77	95		
M50×1.5	G1 1/2	25	24-41	17	95	100		
M63×1.5	G2	32.5	30-50	17	99	110		
M75×1.5	G2 1/2	44	38-64	17	113	127		
M85×1.5	G3S	52	47-74	18	113	127		
M90×1.5	G3	52	47-74	18	127	137		
M100×1.5	G4S	64	57-90	18	127	137		
M110×1.5	G4	72	62-103	18	127	137		

依据可以安装要求: 可提供 GL 螺纹加长
 Customization: Accept lengthen GL thread.



BW 铠装电缆接头

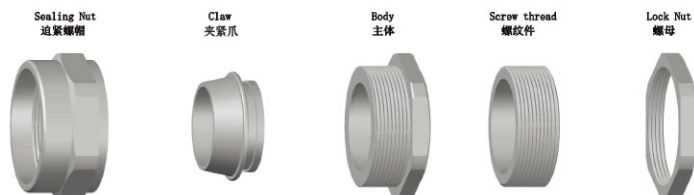
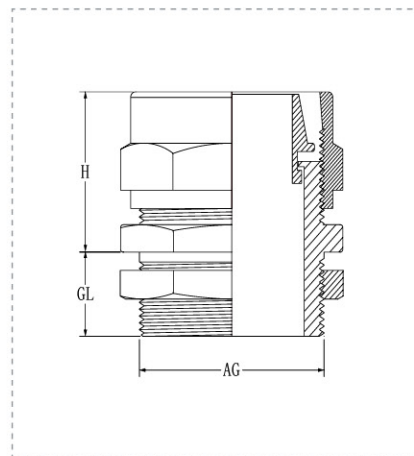
BW Cable Gland

HX-BW

CE ROHS Ex REACH

材质: 镀镍黄铜
 防水等级: IP68-10 巴压力
 工作温度: 静态: -40°C到 100°C, 短时间达 120°C
 动态: -20°C到 80°C, 短时间达 100°C

Material: Nickel-plated brass
 Protection degree: IP68-10 bar
 Temperature: Static state: -40°C to 100°C, Short time to 120°C
 Dynamic state: -20°C to 80°C, Short time to 100°C



规格参数 单位: mm

规格 Item	螺纹 Thread	适用范围 Φ Range		螺纹长度 GL Thread Length	螺纹外径 AG Thread O.D.	接合长度 H Joint Length	扳手径 \varnothing Spanner size	产品编号 Code
		最小直径 Min.	最大直径 Max.					
BW-0	M20×1.5	12.6	16.5	10	20	23	22	HX-BW0
BW-1	M20×1.5	15.9	19.0	10	20	26	27/25/24	HX-BW1
BW-2	M25×1.5	20.6	26.5	10	25	29	35	HX-BW2
BW-3	M32×1.5	26.5	33.0	10	32	32	40	HX-BW3
BW-4	M40×1.5	34.9	40.5	15	40	36	50	HX-BW4
BW-5	M50×1.5	44.5	51.0	15	50	45	64	HX-BW5
BW-6	M63×1.5	57.0	67.0	15	63	50	82	HX-BW6
BW-7	M75×2	68.0	79.5	15	75	60	96	HX-BW7
BW-8	M82×2	74.0	83.0	15	82	65	100	HX-BW8
BW-9	M90×2	82.0	91.0	15	90	69	110	HX-BW9
BW-10	M100×2	93.0	100.0	15	100	88	120	HX-BW10



防爆电缆夹紧密封接头

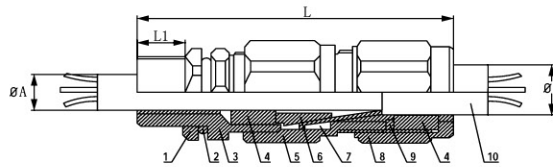
Explosion-proof Cable Clamp Sealing Joint-CW

HX-CW

CE ROHS Ex REACH

材质: 黄铜 / 不锈钢 304/316L
 表面: 镀镍 / 钝化
 密封件: 硅橡胶、氟丁橡胶
 防爆标识: Exd IIC Gb
 阻燃等级: UL94-V0
 防护等级: IP66-10 巴压力
 工作温度: 静态 -60°C至 100°C 短时间 120°C
 动态 -20°C至 80°C短时间 100°C不含卤化物

Material: Brass/SS304/SS316L
 Surface treatment: Nickel plated, Passivation
 Sealing material: Silicone rubber, Neoprene
 Explosion-proof: Exd IIC Gb
 Flame retardant degree: UL94-V0
 Protection degree: IP66-10 bar
 Temperature: Static state: -60°C to 100°C, short time to 120°C
 Dynamic state: -20°C to 80°C, short time to 100°C



- 1.螺母 2.密封圈 3.入口接体 4.密封圈
 5.中接体 6.锥度套 7.罩圈 8.压紧螺母
 9.垫片 10.铠装电缆
 1.nut 2.sealing ring 3.inlet connecting body
 4.sealing ring 5.middle connecting body
 6.taper sleeve 7.cover ring 8.nut 9.gasket
 10.armored cable

规格参数 单位: mm

公制螺纹 M Metric thread	英制螺纹 G Inch screw threads	电缆外径 Outer diameter cable		螺纹长度 L1 Thread length	长度 L Length	长度 L2 Length	防爆标志 EX-mark	防护等级 Protection degree	产品编号 Code
		出线 Outgoing line A	进线 Incoming line B						
M16×1.5	—	5—8	7—15	15	75	85	Exd IIC Gb	IP66	HX-CW-"item"
M20×1.5	G1/2	5—12	8—15	15	75	85			
M25×1.5	G3/4	8—17	11—20	15	80	87			
M32×1.5	G1	11—22	14—27	17	88	92			
M40×1.5	G1 1/4	14—28	19—33	17	123	95			
M50×1.5	G1 1/2	16—33	22—40	17	123	100			
M63×1.5	G2	29—43	29—50	17	123	110			
M75×1.5	G2 1/2	38—57	35—63	17	142	127			
M85×1.5	G3S	38—72	41—77	18	144	127			
M90×1.5	G3	38—72	41—77	18	161	137			
M100×1.5	G4S	48—83	55—90	18	161	137			
M110×1.5	G4	48—94	61—104	18	166	137			

依据可以安装要求: 可提供 GL 螺纹加长
 Customization: Accept lengthen GL thread.



DPJ 端式软管接头

DPJ Ended Hose Fittings

M / G / PG

CE ROHS

材质: 黄铜镀镍 / 不锈钢 304/316L

护圈: TPE

密封垫: 改性橡胶

软管护口: 镀锌铁皮 / 不锈钢 304

防护等级: IP66

温度范围: -40°C至 105°C

需注明软管规格及螺纹尺寸。例 DPJ-15-G1/2", 一端 Φ15 软管, 另一端 G1/2" 外螺纹。

Material: Nickel-plated brass/SS304/SS316L

Retainer: TPE

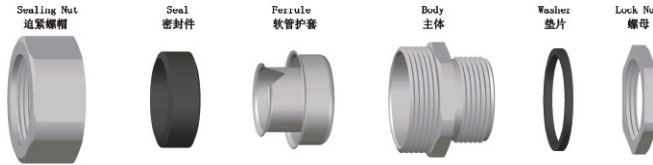
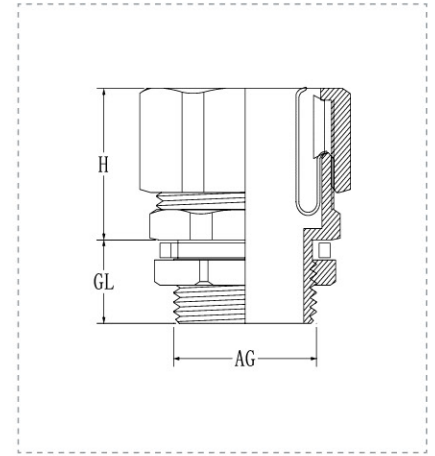
Sealing ring: Modified rubber

Mouth: Galvanized steel / SS304

Protection degree: IP66

Temperature: -40°C to 105°C

Need to indicate hose specification and thread size, example DPJ-15-G1/2", one end 15 hose, the other end G1/2" external thread.



规格参数 单位: mm

适配软管尺寸 For conduit size		英制螺纹 Inch	螺纹长度 GL Thread Length	公制螺纹 Metric	螺纹长度 GL Thread Length	德制 PG	扳手尺寸 Spanner size	产品编号 Code
公制 Metric	英制 Inch							
Φ6	3/16"	G1/4"	7	M12/M14	7	PG7	18/16	HX-DPJ- "Conduit size"- "Tread type"
Φ8	5/16"	G3/8"	7	M14/M16	8	PG9	24/22	
Φ10	1/4"	G3/8"	7	M16	8	PG9	24/22	
Φ12 (13)	3/8"	G3/8"	10	M18/M20	10	PG11/PG13.5	26	
Φ15 (16)	1/2"	G1/2"	12	M20/M22/M24	10	PG13.5/PG16	30	
Φ20 (19)	3/4"	G3/4"	12	M25/M27/M30	12	PG21	35	
Φ25	1"	G1"	14	M32/M33/M36	12	PG29	43	
Φ32	1-1/4"	G1-1/4"	14	M36/M40/M42/M48	14	PG29	52	
Φ38 (40)	1-1/2"	G1-1/2"	16	M48/M50	14	PG36/PG42	60	
Φ51 (50)	2"	G2"	16	M60/M63/M64/M72	15	PG48	75	
Φ64 (70)	2-1/2"	G2-1/2"	24	M76	20		89/87	
Φ75 (80)	3"	G3"	25	M88	22		102/97	
Φ100	4"	G4"	25	M114	28		133/128	
Φ125	5"	G5"	25	M140	29		158	
Φ150	6"	G6"	25	M164	29		183	



带锁紧金属软管接头

Locking Metal Hose Joint

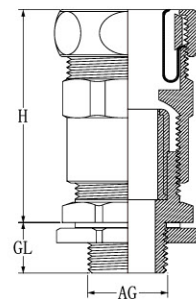
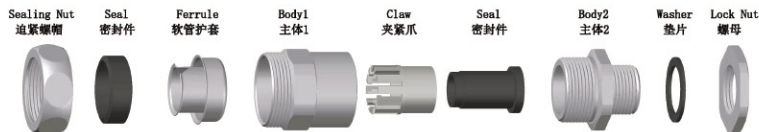


PG

CE ROHS

外部金属: 黄铜镀镍 / 不锈钢 304/316L
 密封件: 改性橡胶
 芯套: PA6
 护套: 镀锌铁皮 / 不锈钢
 密封套: TPE
 防护等级: IP65
 温度范围: -40°C到 100°C 短时间达 120°C

External metal: Nickel-plated brass/SS304/316L
 Sealing: Modified rubber
 Seal: PA6
 Ferrule: Galvanized steel/Stainless steel
 Sealing ring: TPE
 Protection degree: IP65
 Temperature: -40°C to 100°C, short time to 120°C



规格参数 单位: mm

规格 Item	适用范围 Range	螺纹长度 GL Thread Length	扳手径φ Spanner size	适配软管 (公称内径) Conduit Size (Nominal diameter)	产品编号 Code
PG7-Φ6	3-5.5	6	18/17/14	Φ6	HX-SRPG7-Φ6
PG9-Φ8	4-7	7	20/19/17	Φ8	HX-SRPG9-Φ8
PG11-Φ10	5-9	7	24/23/20	Φ10	HX-SRPG11-Φ10
PG13.5-Φ12	6-11	7	26/26/22	Φ12	HX-SRPG13.5-Φ12
PG16-Φ15	8-14	7	30/30/24	Φ15	HX-SRPG16-Φ15
PG21-Φ20	13-18	8	36/34/30	Φ20	HX-SRPG21-Φ20
PG29-Φ25	15-22	8	45/45/40	Φ25	HX-SRPG29-Φ25
PG36-Φ32	22-30	9	55/52/50	Φ32	HX-SRPG36-Φ32
PG42-Φ38	30-35	9	60/58/58	Φ38	HX-SRPG42-Φ38
PG48-Φ51	37-44	10	75/75/65	Φ51	HX-SRPG48-Φ51
M12*1.5-Φ6	3-5.5	6	18/17/14	Φ6	HX-SRM12-Φ6
M16*1.5-Φ8	4-7	7	20/19/18	Φ8	HX-SRM16-Φ8
M18*1.5-Φ10	5-9	7	24/23/20	Φ10	HX-SRM18-Φ10
M20*1.5-Φ12	6-11	7	26/26/20	Φ12	HX-SRM20-Φ12
M20*1.5-Φ15	6-12	7	30/28/24	Φ15	HX-SRM20-Φ15
M22*1.5-Φ15	8-14	7	30/30/24	Φ15	HX-SRM22-Φ15
M24*1.5-Φ15	8-14	7	30/30/27	Φ15	HX-SRM24-Φ15
M25*1.5-Φ15	8-14	7	30/30/28	Φ15	HX-SRM25-Φ15
M25*1.5-Φ20	13-18	7	36/34/30	Φ20	HX-SRM25-Φ20
M32*1.5-Φ20	13-18	8	36/34/36	Φ20	HX-SRM32-Φ20
M32*1.5-Φ25	15-22	8	45/40/36	Φ25	HX-SRM32-Φ25
M36*2-Φ25	15-22	8	45/45/40	Φ25	HX-SRM36-Φ25
M40*1.5-Φ32	22-30	9	55/52/45	Φ32	HX-SRM40-Φ32
M40*1.5-Φ38	22-30	9	60/58/50	Φ32	HX-SRM40-Φ38
M48*1.5-Φ32	22-32	9	55/52/55	Φ38	HX-SRM48-Φ32
M50*1.5-Φ38	30-35	9	60/58/55	Φ38	HX-SRM50-Φ38
M50*1.5-Φ51	30-35	9	75/75/75	Φ51	HX-SRM50-Φ51
M56*2-Φ38	30-38	9	60/58/60	Φ38	HX-SRM56-Φ38
M60*1.5-Φ51	37-44	10	75/75/70	Φ51	HX-SRM60-Φ51
M63*1.5-Φ51	37-44	10	75/75/70	Φ51	HX-SRM63-Φ51



带锁紧尼龙软管接头

Tightened Nylon Hose Joint

M

CE ROHS

外部金属: 黄铜镀镍 / 不锈钢 304/316L

密封件: 改性橡胶

芯套: PA6

护套: 镀锌铁皮 / 不锈钢

密封套: TPE

防护等级: IP65

温度范围: -40°C到 100°C 短时间达 120°C

External metal: Nickel-plated brass/SS304/316L

Sealing: Modified rubber

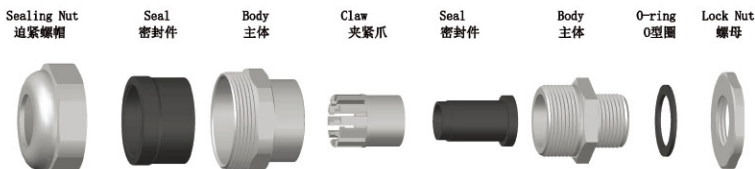
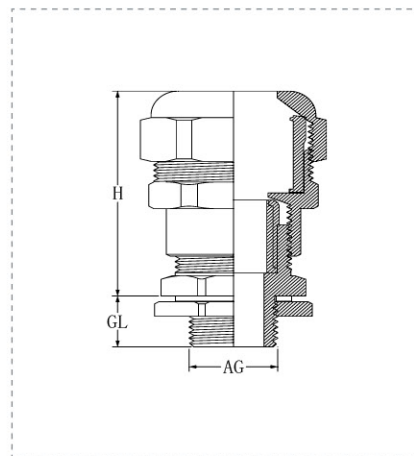
Seal: PA6

Ferrule: Galvanized steel/SS

Sealing ring: TPE

Protection degree: IP65

Temperature: -40°C to 100°C, short time to 120°C



规格参数 单位: mm

规格 Item	适用范围 Range	螺纹长度 GL Thread Length	扳手径φ Spanner size	适配软管 (公称内径) Conduit Size (Nominal diameter)	产品编号 Code
M12*1.5-Φ6	3-5.5	6	18/17/14	Φ6	HX-SRM12-Φ6
M16*1.5-Φ8	4-7	7	20/19/18	Φ8	HX-SRM16-Φ8
M18*1.5-Φ10	5-9	7	24/23/20	Φ10	HX-SRM18-Φ10
M20*1.5-Φ12	6-11	7	26/26/20	Φ12	HX-SRM20-Φ12
M20*1.5-Φ15	6-12	7	30/28/24	Φ15	HX-SRM20-Φ15
M22*1.5-Φ15	8-14	7	30/30/24	Φ15	HX-SRM22-Φ15
M24*1.5-Φ15	8-14	7	30/30/27	Φ15	HX-SRM24-Φ15
M25*1.5-Φ15	8-14	7	30/30/28	Φ15	HX-SRM25-Φ15
M25*1.5-Φ20	13-18	7	36/34/30	Φ20	HX-SRM25-Φ20
M32*1.5-Φ20	13-18	8	36/34/36	Φ20	HX-SRM32-Φ20
M32*1.5-Φ25	15-22	8	45/40/36	Φ25	HX-SRM32-Φ25
M36*2-Φ25	15-22	8	45/45/40	Φ25	HX-SRM36-Φ25
M40*1.5-Φ32	22-30	9	55/52/45	Φ32	HX-SRM40-Φ32
M40*1.5-Φ38	22-30	9	60/58/50	Φ32	HX-SRM40-Φ38
M48*1.5-Φ32	22-32	9	55/52/55	Φ38	HX-SRM48-Φ32
M50*1.5-Φ38	30-35	9	60/58/55	Φ38	HX-SRM50-Φ38
M50*1.5-Φ51	30-35	9	75/75/75	Φ51	HX-SRM50-Φ51
M56*2-Φ38	30-38	9	60/58/60	Φ38	HX-SRM56-Φ38
M60*1.5-Φ51	37-44	10	75/75/70	Φ51	HX-SRM60-Φ51
M63*1.5-Φ51	37-44	10	75/75/70	Φ51	HX-SRM63-Φ51
PG7-Φ6	3-5.5	6	18/17/14	Φ6	HX-SRNP7-Φ6
PG9-Φ8	4-7	7	20/19/17	Φ8	HX-SRNP9-Φ8
PG11-Φ10	5-9	7	24/23/20	Φ10	HX-SRNP11-Φ10
PG13.5-Φ12	6-11	7	26/26/22	Φ12	HX-SRNP13.5-Φ12
PG16-Φ15	8-14	7	30/30/24	Φ15	HX-SRNP16-Φ15
PG21-Φ20	13-18	8	36/34/30	Φ20	HX-SRNP21-Φ20
PG29-Φ25	15-22	8	45/45/40	Φ25	HX-SRNP29-Φ25
PG36-Φ32	22-30	9	55/52/50	Φ32	HX-SRNP36-Φ32
PG42-Φ38	30-35	9	60/58/58	Φ38	HX-SRNP42-Φ38
PG48-Φ51	37-44	10	75/75/65	Φ51	HX-SRNP48-Φ51

可选择 PG/G/NPT 螺纹定制 Customizable PG/G/NPT thread customization



尼龙波纹管接头

Powerful Watertight Corrugated Tubing Fittings

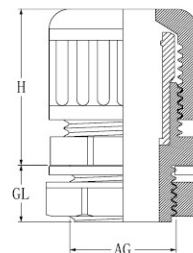


M / PG / G

CE ROHS

材质: 采用 UL 认可的尼龙材料 PA66
 工作温度: 静态: -40°C 到 100°C, 短时间达 120°C
 动态: -20°C 到 80°C, 短时间达 100°C
 颜色定制: 灰色、黑色其他颜色可以定制

Material: PA66 (Nylon) ,UL 94 V-2
 Temperature: Static state:-40°C to 100°C ,short time to 120°C ;Dynamic state:-20°C to 80°C ,short time to 100°C
 Color: Grey, Black, other color customized



规格参数 单位: mm

规格 Item	适用软管 Conduit size	螺纹外径 Thread O.D.	螺纹长度 GL	包装 Pack	产品编号 Code	规格 Item	适用软管 Conduit size	螺纹外径 Thread O.D.	螺纹长度 GL	包装 Pack	产品编号 Code
M12 × 1.5	AD10.0	12	9	50	HX-NLTM12-10.0	PG7	AD10.0	12.5	9	50	HX-NLTPG7-10.0
M16 × 1.5	AD13.0	16	15	50	HX-NLTM16-13.0	PG9		15.2	9	50	HX-NLTPG9-10.0
M16 × 1.5	AD15.8	16	15	50	HX-NLTM16-15.8	PG11	AD13.0	18.6	10	50	HX-NLTPG11-13.0
M20 × 1.5		20	15	50	HX-NLTM20-15.8	PG13.5	AD15.8	20.4	10	50	HX-NLTPG13.5-15.8
M22 × 1.5		22	15	50	HX-NLTM22-15.8	PG16		22.5	10.8	50	HX-NLTPG16-15.8
M25 × 1.5		25	15	50	HX-NLTM25-15.8	PG13.5	AD18.5	20.4	10	50	HX-NLTPG13.5-18.5
M16 × 1.5	AD18.5	16	15	50	HX-NLTM16-18.5	PG16	AD21.2	22.5	10.8	50	HX-NLTPG16-18.5
M20 × 1.5		20	15	50	HX-NLTM20-18.5	PG16		AD21.2	22.5	13	50
M22 × 1.5		22	15	50	HX-NLTM22-18.5	PG21	AD28.5	28.3	13	50	HX-NLTPG21-21.2
M20 × 1.5		20	15	50	HX-NLTM20-21.2	PG21		AD28.5	28.3	13	50
M25 × 1.5	AD21.2	25	15	50	HX-NLTM25-21.2	PG29	AD34.5	37	13	20	HX-NLTPG29-34.5
M25 × 1.5	AD25.0	25	15	50	HX-NLTM25-25.0	PG36	AD42.5	47	13	10	HX-NLTPG36-42.5
M25 × 1.5	AD26.2	25	15	50	HX-NLTM25-26.2	PG48	AD54.5	59.3	16	10	HX-NLTPG48-54.5
M25 × 1.5	AD28.5	25	15	50	HX-NLTM25-28.5	PG48	AD60	59.3	16	10	HX-NLTPG48-60
M32 × 1.5	AD34.5	32	15	20	HX-NLTM32-34.5	G(PF)1/4	AD10.0	13.1	9	50	HX-NLTPF1/4-10.0
M50 × 1.5	AD48	50	15	10	HX-NLTM50-48	G(PF)3/8	AD13.0	16.6	15	50	HX-NLTPF3/8-13.0
M50 × 1.5	AD54.5	50	22	10	HX-NLTM50-54.5	G(PF)1/2	AD15.8	20.9	15	50	HX-NLTPF1/2-15.8
M63 × 1.5		63	25	10	HX-NLTM63-54.5	G(PF)1/2	AD18.5	20.9	15	50	HX-NLTPF1/2-18.5
M50 × 1.5	AD60	50	22	10	HX-NLTM50-60	G(PF)1/2	AD21.2	20.9	15	50	HX-NLTPF1/2-21.2
M63 × 1.5		63	25	10	HX-NLTM63-60	G(PF)3/4	AD28.5	26.4	15	50	HX-NLTPF3/4-21.2
M50 × 1.5		50	22	10	HX-NLTM50-60	G(PF)3/4	AD28.5	26.4	15	50	HX-NLTPF3/4-28.5
		63	25	10	HX-NLTM63-60	G(PF)1	AD34.5	33.2	15	20	HX-NLTPF1-34.5
M63 × 1.5	50	22	10	HX-NLTM63-60	G(PF)1	AD34.5	33.2	15	20	HX-NLTPF1-34.5	
	63	25	10	HX-NLTM63-60	G(PF)1 1/4	AD42.5	41.9	15	10	HX-NLTPF1 1/4-42.5	
M50 × 1.5	AD54.5	50	22	10	HX-NLTM50-54.5	G(PF)1 1/2	AD54.5	48	15	10	HX-NLTPF1 1/2-54.5
								60	15	10	HX-NLTPF2-54.5
M63 × 1.5	AD60	63	25	10	HX-NLTM63-60	G(PF)1 1/2	AD60	48	15	10	HX-NLTPF1 1/2-60
								60	15	10	HX-NLTPF2-60

软管接头系列 Metal Hose Fitting Series



尼龙软管接头

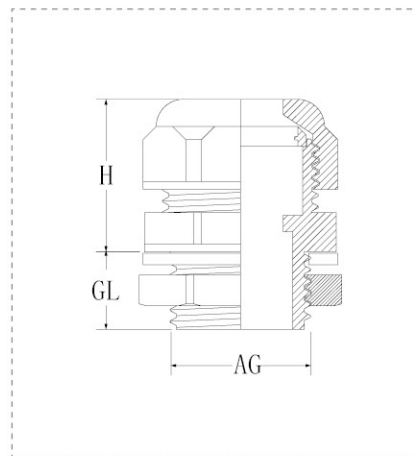
Nylon Flexible Pipe Fitting

M / PG / G

CE ROHS

材质: 采用 UL 认可的尼龙材料 PA66
 工作温度: 静态: -40°C到 100°C, 短时间达 120°C
 动态: -20°C到 80°C, 短时间达 100°C
 颜色定制: 灰色、黑色其他颜色可以定制

Material: PA66 (Nylon) ,UL 94 V-2
 Temperature: Static state:-40°C to 100°C ,short time to 120°C ;Dynamic state:-20°C to 80°C ,short time to 100°C
 Color: Grey, Black, other color customized



规格参数 单位: mm

产品编号 Code	匹配软管 Conduit size	螺纹 Thread	AG 外径 Outer size	AG 内径 Inner size	GL	H	产品编号 Code	匹配软管 Conduit size	螺纹 Thread	AG 外径 Outer size	AG 内径 Inner size	GL	H
HX-NLRM12-10.0	AD10.0	M12x1.5	12.0	7.0	10.0	26.0	HX-NLRPG7-10.0	AD10.0	PG7	12.5	7.0	10.0	26.0
HX-NLRM12-13.0	AD13.0	M12x1.5	12.0	7.0	10.0	26.0	HX-NLRPG9-13.0	AD13.8	PG9	15.2	10.0	10.0	26.0
HX-NLRM16-10.0	AD10.0	M16x1.5	16.0	7.0	10.0	26.0	HX-NLRPG11-15.8	AD15.8	PG11	18.6	12.0	10.0	26.0
HX-NLRM16-13.0	AD13.0	M16x1.5	16.0	10.0	10.0	26.0	HX-NLRPG13.5-18.5	AD18.5	PG13.5	20.4	14.5	10.0	27.0
HX-NLRM16-15.8	AD15.8	M16x1.5	16.0	11.0	10.0	26.0	HX-NLRPG16-21.2	AD21.2	PG16	22.5	15.0	10.0	27.0
HX-NLRM18-13.0	AD13.0	M18x1.5	18.0	10.0	10.0	26.0	HX-NLRPG21-28.5	AD28.5	PG21	28.3	23.0	14.0	34.0
HX-NLRM18-15.8	AD15.8	M18x1.5	18.0	12.0	10.0	26.0	HX-NLRPG29-34.5	AD34.5	PG29	37.0	29.0	14.0	34.0
HX-NLRM20-15.8	AD15.8	M20x1.5	20.0	12.0	10.0	26.0	HX-NLRPG36-42.5	AD42.5	PG36	47.0	36.0	14.0	44.0
HX-NLRM20-18.5	AD18.5	M20x1.5	20.0	14.5	10.0	27.0	HX-NLRPG48-54.5	AD54.5	PG48	59.3	48.0	15.0	50.0
HX-NLRM20-21.2	AD21.2	M20x1.5	20.0	16.0	10.0	27.0							
HX-NLRM22-21.2	AD21.2	M22x1.5	22.0	17.0	10.0	27.0	HX-NLRG1/2-21.2	AD21.2	G1/2"	20.4	15.0	10.0	27.0
HX-NLRM24-21.2	AD21.2	M24x1.5	24.0	18.0	10.0	27.0	HX-NLRG1/2-25.0	AD25.0	G1/2"	20.4	15.0	15.0	35.0
HX-NLRM25-21.2	AD21.2	M25x1.5	25.0	18.0	10.0	27.0	HX-NLRG3/4-28.5	AD28.5	G3/4"	26.0	20.0	14.0	34.0
HX-NLRM25-25.0	AD25.0	M25x1.5	25.0	20.0	15.0	35.0	HX-NLRG1-34.5	AD34.5	G1"	36.0	26.0	14.0	34.0
HX-NLRM25-28.5	AD28.5	M25x1.5	25.0	21.0	14.0	35.0							
HX-NLRM27-28.5	AD28.5	M27x1.5	27.0	21.0	14.0	35.0							
HX-NLRM30-28.5	AD28.5	M30x1.5	30.0	23.0	14.0	35.0							
HX-NLRM32-28.5	AD28.5	M32x1.5	32.0	23.0	14.0	35.0							
HX-NLRM32-34.5	AD34.5	M32x1.5	32.0	26.0	14.0	35.0							
HX-NLRM36-34.5	AD34.5	M36x1.5	36.0	29.0	14.0	35.0							
HX-NLRM40-34.5	AD34.5	M40x1.5	40.0	35.0	15.0	40.0							
HX-NLRM40-42.5	AD42.5	M40x1.5	40.0	34.0	14.0	44.0							
HX-NLRM48-42.5	AD42.5	M48x1.5	48.0	36.0	14.0	44.0							
HX-NLRM50-54.5	AD54.5	M50x1.5	50.0	43.0	15.0	20.0							
HX-NLRM63-54.5	AD54.5	M63x1.5	63.0	48.0	15.0	20.0							



尼龙软管快速接头

Nylon Union for Flexible Pipe

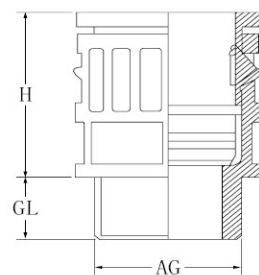


M / PG / G

CE ROHS

材质: 采用 UL 认可的尼龙材料 PA66
 工作温度: 静态: -40°C 到 100°C, 短时间达 120°C
 动态: -20°C 到 80°C, 短时间达 100°C
 颜色定制: 灰色、黑色其他颜色可以定制

Material: PA66 (Nylon) ,UL 94 V-2
 Temperature: Static state:-40°C to 100°C ,short time to 120°C ;Dynamic state:-20°C to 80°C ,short time to 100°C
 Color: Grey, Black, other color customized



规格参数 单位: mm

规格 Item	适用软管 Conduit size	螺纹外径 AG Thread O.D.	螺纹长度 GL Thread Length	产品编号 Code	规格 Item	适用软管 Conduit size	螺纹外径 AG Thread O.D.	螺纹长度 GL Thread Length	产品编号 Code
M12 × 1.5	AD10.0	12	8.5	HX-NLKM12 -10.0	PG7	AD10.0	12.4	8.5	HX-NLKP7 -10.0
M12 × 1.5	AD13.0	12	10	HX-NLKM12 -13.0	PG9	AD13.0	15.2	10	HX-NLKP9 -13.0
M16 × 1.5		16	10	HX-NLKM16 -13.0	PG11	AD15.8	18.4	12.5	HX-NLKP11 -15.8
M18 × 1.5	AD15.8	18	10	HX-NLKM18 -13.0	PG13.5	AD18.5	20.4	12.5	HX-NLKP13.5 -18.5
M16 × 1.5		16	10	HX-NLKM16 -15.8	PG16	AD21.2	22.5	13	HX-NLKP16 -21.2
M18 × 1.5	AD18.5	18	12.5	HX-NLKM18 -15.8	PG21	AD28.5	28.3	13	HX-NLKP21 -28.5
M20 × 1.5		20	12.5	HX-NLKM20 -15.8	PG29	AD34.5	37	14	HX-NLKP29 -34.5
M20 × 1.5	AD21.2	20	12.5	HX-NLKM20 -18.5	PG36	AD42.5	47	15	HX-NLKP36 -42.5
M22 × 1.5		22	12.5	HX-NLKM22 -18.5	PG42	AD54.5	54	16	HX-NLKP42 -54.5
M20 × 1.5	AD25.0	20	13	HX-NLKM20 -21.2	PG48		59.3	16	HX-NLKP48 -54.5
M24 × 1.5		AD28.5	24	13	HX-NLKM24 -21.2	G(PF) 1/4	AD10.0	13.1	8.5
M25 × 1.5	25		13	HX-NLKM25 -21.2	G(PF) 3/8	AD15.8	16.6	12.5	HX-NLKG3/8-15.8
M25 × 1.5	AD34.5	25	13	HX-NLKM25 -28.5	G(PF) 1/2		20.9	12.5	HX-NLKG1/2-15.8
M27 × 1.5		AD42.5	27	13	HX-NLKM27 -28.5	G(PF) 1/2	AD18.5	20.9	12.5
M30 × 1.5	AD54.5		30	13	HX-NLKM30 -28.5	G(PF) 1/2	AD21.2	20.9	13
M32 × 1.5		AD28.5	32	13	HX-NLKM32 -28.5	G(PF) 3/4	AD28.5	26.4	13
M32 × 1.5	32		14	HX-NLKM32 -34.5	G(PF) 3/4	26.4		13	HX-NLKG3/4-28.5
M36 × 1.5	AD34.5	36	14	HX-NLKM36 -34.5	G(PF) 1	AD34.5	33.2	14	HX-NLKG1-34.5
M40 × 1.5		AD42.5	40	14	HX-NLKM40 -34.5	G(PF) 1 1/4	AD42.5	41.9	15
M40 × 1.5	40		15	HX-NLKM40 -42.5	G(PF) 1/2	48		15	HX-NLKG1 1/2-42.5
M48 × 1.5	AD54.5	48	15	HX-NLKM48 -42.5	G(PF) 1 1/2	AD54.5	48	16	HX-NLKG1 1/2-54.5
M50 × 1.5		50	16	HX-NLKM50 -54.5	G(PF) 2		60	16	HX-NLKG2-54.5
M63 × 1.5		60	16	HX-NLKM63 -54.5					



软管接头系列 Metal Hose Fitting Series

折弯软管快速接头

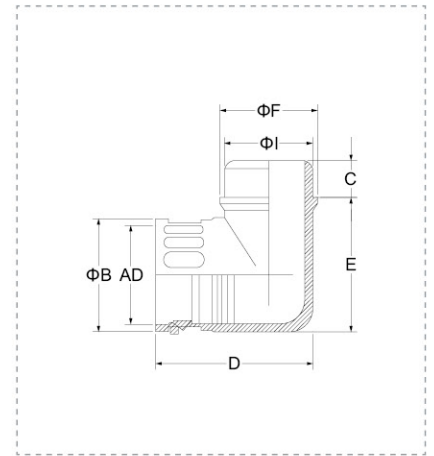
Right Angle Union For Flexible Pipe

M / PG

CE ROHS

材质: 采用 UL 认可的尼龙材料 PA66
 工作温度: 静态: -40°C到 100°C, 短时间达 120°C
 动态: -20°C到 80°C, 短时间达 100°C
 颜色定制: 灰色、黑色其他颜色可以定制

Material: PA66 (Nylon) ,UL 94 V-2
 Temperature: Static state:-40°C to 100°C ,short time to 120°C ;Dynamic state:-20°C to 80°C ,short time to 100°C
 Color: Grey, Black, other color customized



规格参数 单位: mm

规格 Item	适配软管 Conduit size	螺纹外径 I Thread O.D.	螺纹长度 C Thread Length	产品编号 Code
M12×1.5	AD10.0	12	10	HX-NLFM12-10
M16×1.5	AD13.0	16	11.5	HX-NLFM16-13
M16×1.5	AD15.8	16	12	HX-NLFM16-15.8
M20×1.5	AD18.5	20	12	HX-NLFM20-18.5
M20×1.5	AD21.2	20	13	HX-NLFM20-21.2
M25×1.5	AD25.0	25	13	HX-NLFM25-25
M25×1.5	AD28.5	25	13	HX-NLFM25-28.5
M32×1.5	AD34.5	32	15	HX-NLFM32-34.5
M40×1.5	AD42.5	40	15	HX-NLFM40-42.5
M50×1.5	AD54.5	50	15	HX-NLFM50-54.5
PG7	AD10.0	12.3	10	HX-NLFFPG7-10
PG9	AD13.0	15	11.5	HX-NLFFPG9-13
PG11	AD15.8	18.4	12	HX-NLFFPG11-15.8
PG13.5	AD18.5	20.4	12	HX-NLFFPG13.5-18.5
PG16	AD21.2	22.3	13	HX-NLFFPG16-21.2
PG19	AD25.0	25	13	HX-NLFFPG19-25
PG21	AD28.5	28	13	HX-NLFFPG21-28.5
PG29	AD34.5	36.7	15	HX-NLFFPG29-34.5
PG36	AD42.5	46.7	15	HX-NLFFPG36-42.5
PG48	AD54.5	59	16	HX-NLFFPG48-54.5



锌合金软管接头

Zinc alloy hose joint

Liquid-tight Connector



Zinc Die Cast	
CODE	SIZE
LTC-40	3/8"
LTC-50	1/2"
LTC-75	3/4"
LTC-100	1"
LTC-125	1-1/4"
LTC-150	1-1/2"
LTC-200	2"
LTC-250	2-1/2"
LTC-300	3"
LTC-400	4"

Liquid-tight Connector 90°



Zinc Die Cast	
CODE	SIZE
LTCE-40	3/8"
LTCE-50	1/2"
LTCE-75	3/4"
LTCE-100	1"
LTCE-125	1-1/4"
LTCE-150	1-1/2"
LTCE-200	2"
LTCE-250	2-1/2"
LTCE-300	3"
LTCE-400	4"

Flexible Conduit Connector



Zinc Die Cast -Flex To Box	
CODE	SIZE
DPJ-12	3/8"
DPJ-15	1/2"
DPJ-20	3/4"
DPJ-25	1"
DPJ-32	1-1/4"
DPJ-38	1-1/2"
DPJ-50	2"
DPJ-64	2-1/2"
DPJ-75	3"
DPJ-100	4"

Flexible Conduit Female Connector



Zinc Die cast -Flex to IMC x	
CODE	SIZE
DPN-12	3/8"
DPN-15	1/2"
DPN-20	3/4"
DPN-25	1"
DPN-32	1-1/4"
DPN-38	1-1/2"
DPN-50	2"
DPN-64	2-1/2"
DPN-75	3"
DPN-100	4"

Flexible Conduit Connector



Zinc Die cast -Flex to EMT	
CODE	SIZE
DKJ-12	3/8"
DKJ-15	1/2"
DKJ-20	3/4"
DKJ-25	1"
DKJ-32	1-1/4"
DKJ-38	1-1/2"
DKJ-50	2"
DKJ-64	2-1/2"
DKJ-75	3"
DKJ-100	4"

Flexible Conduit Connector



Zinc Die Cast-Flex To Box ,Plum Type	
CODE	SIZE
MPJ-12	3/8"
MPJ-15	1/2"
MPJ-20	3/4"
MPJ-25	1"
MPJ-32	1-1/4"
MPJ-38	1-1/2"
MPJ-50	2"
MPJ-64	2-1/2"
MPJ-75	3"
MPJ-100	4"

Flexible Conduit Connector -- 90°



Zinc Die Cast -Flex To Box	
CODE	SIZE
DWJ-12	3/8"
DWJ-15	1/2"
DWJ-20	3/4"
DWJ-25	1"
DWJ-32	1-1/4"
DWJ-38	1-1/2"
DWJ-50	2"
DWJ-64	2-1/2"
DWJ-75	3"
DWJ-100	4"

Flex to Tube/ Flex to Flex /Tube to



Tube Compression Coupling	
Zinc die cast -flex to EMT /rigid	
CODE	SIZE
DGJ-15FT/FF/TT	1/2"
DGJ-20FT/FF/TT	3/4"
DGJ-25FT/FF/TT	1"
DGJ-32FT/FF/TT	1-1/4"
DGJ-38FT/FF/TT	1-1/2"
DGJ-50FT/FF/TT	2"

金属软管

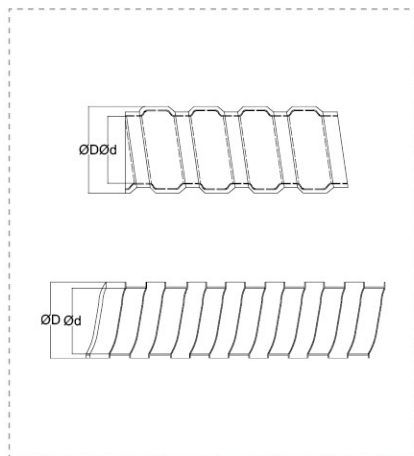
Metal Flexible Pipe

PM / BM

CE ROHS

材质: 热镀锌钢板及特殊绝缘处理
 外层: PVC(黑色抗紫外线, 防老化)
 产品认证: 欧洲 CE, 欧洲环保 RoHS
 防火等级: UL94V-0, 低烟无毒
 颜色种类: 黑色或灰色
 使用方法: 先将电线穿入管内, 再配合金属软管固定头即可

Material: Hot dip galvanized steel plate and special insulation treatment
 Out Material: PVC(black anti-ultraviolet, anti-aging)
 Product certification: European CE, European environmental protection RoHS
 Fire rating: UL94v-0, low smoke non-toxic
 Color: black or grey
 Working temperature: - 30 °C to + 85 °C, instantaneous heat resistant up to 100 °C
 Usage: Put the wire into the tube, then tie the metal hose to the head



规格参数 单位: mm

型号 Item No.		规格 Trade Sizes		内径 d Inner Diameter	外径 D Outer Diameter	弯曲半径 Bending Radius mm±10%	包装 M Packing
黑色 Black	灰色 Gray	公制 M	英制 BSP				
HX-PM-01B	HX-PM-01G	6	3/16"	6.0±0.3	9.2±0.5	40	100M
HX-PM-02B	HX-PM-02G	8	5/16"	8.0±0.3	11.8±0.5	45	100M
HX-PM-03B	HX-PM-03G	10	1/4"	10.0±0.3	14.5±0.5	55	100M
HX-PM-04B	HX-PM-04G	13	3/8"	12.5±0.3	16.8±0.5	65	100M
HX-PM-05B	HX-PM-05G	16	1/2"	15.5±0.3	20.2±0.5	85	100M
HX-PM-06B	HX-PM-06G	20	3/4"	20.0±0.3	25.0±0.5	100	50M
HX-PM-08B	HX-PM-08G	25	1"	25.0±0.3	30.7±0.5	120	50M
HX-PM-10B	HX-PM-10G	32	1 1/4"	32.0±0.3	38.6±0.5	150	25M
HX-PM-12B	HX-PM-12G	38	1 1/2"	38.0±1.0	44.6±1.0	180	25M
HX-PM-16B	HX-PM-16G	51	2"	51.0±1.0	59.0±1.0	220	10M
HX-PM-20B	HX-PM-20G	64	2 1/2"	64.0±1.5	73.5±1.5	310	10M
HX-PM-24B	HX-PM-24G	75	3"	75.0±2.0	83.5±2.0	350	10M
HX-PM-32B	HX-PM-32G	100	4"	100.0±3.0	109.5±3.0	410	10M
HX-PM-36B	HX-PM-36G	125	5"	125.0±3.0	135.5±3.0	460	5M
HX-PM-38B	HX-PM-38G	150	6"	150.0±4.0	160.5±4.0	500	5M



尼龙软管

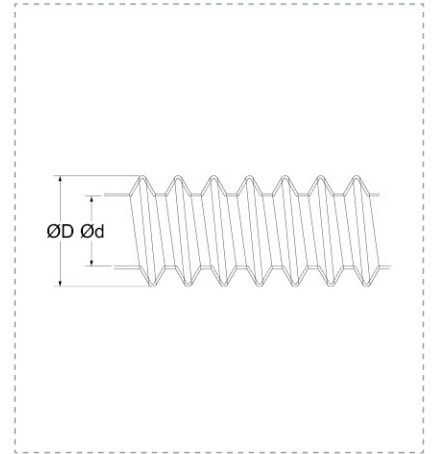
Nylon Flexible Pipe

PA / PP / PE

CE ROHS

材质: PP 聚丙烯
 工作温度: -30℃ -110℃, 短时达到 130℃
 产品认证: 欧洲 CE, 欧洲环保 ROHS
 可保护电线电缆不受外力磨损及绝缘
 用途: 主要用于汽车线束行业, 本品硬度较高
 说明: 本品 PP 材质硬度软管系列中高

Material: PP(Polypropylene)
 temperature: - 30 °C -- 110 °C , short time at 130 °C
 Product certification: European CE, European environmental protection ROHS
 Directions: It can protect wire and cable from external wear and insulation. It is mainly used in automobile wire harness industry
 Description: high in PP material hardness hose serie



规格参数 单位: mm

型号 code	软管规格 Conduit Size		内径 d Inner Size	外径 D Outer Size	弯曲半径 Bending Radius mm±10%	动态弯曲半径 Dynamic Bend Radius
HX-PA-10.0	AD10.0	1/4"	6.50	10.00	16	35
HX-PA-11.6	AD11.6		8.00	11.60	16	35
HX-PA-13.0	AD13.0	5/16"	10.00	13.00	20	45
HX-PA-15.8	AD15.8	3/8"	12.00	15.80	30	60
HX-PA-18.5	AD18.5		14.30	18.50	40	70
HX-PA-21.2	AD21.2	1/2"	17.00	21.20	45	75
HX-PA-25.0	AD25.0		20.00	25.00	45	75
HX-PA-28.5	AD28.5	3/4"	23.00	28.50	50	110
HX-PA-34.5	AD34.5	1"	29.00	34.50	60	115
HX-PA-42.5	AD42.5	1-1/4"	36.00	42.50	70	120
HX-PA-54.5	AD54.5	2"	48.00	54.50	90	150



波纹管固定架

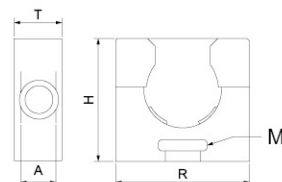
Bellows Fixed Frame

M / PG / G

CE ROHS

材质: PA 尼龙
 工作温度: -40℃ ~ +110℃
 颜色: 黑色 (特殊颜色可以定做)
 供应范围: 淘汰老旧带盖与不带盖两种市场分类,
 采用美观衔接牢固整体新型设计

Material: PA(NYLON)
 Work temperature: -40℃ to 100℃
 Color: Black(other color can be customized)
 Supply scope: Eliminate old one with cap or no cap,adopt firm new design



规格参数 单位: mm

适配软管 Conduit size	B	H	T	M	A	产品编号 Code
AD10.0	25.0	26.0	12.5	4.0	6.5	HX-NBAD10
AD13.0	30.0	26.0	12.5	4.0	6.5	HX-NBAD13
AD15.8	30.0	26.0	12.5	5.0	6.5	HX-NBAD15.8
AD18.5	35.0	33.0	15.0	6.0	6.5	HX-NBAD18.5
AD21.2	35.0	34.0	15.0	6.0	6.5	HX-NBAD21.2
AD25.0	42.0	38.0	16.0	6.0	11.5	HX-NBAD25
AD28.5	42.0	42.0	16.0	6.0	11.5	HX-NBAD28.5
AD34.5	51.0	49.0	16.0	6.0	11.5	HX-NBAD34.5
AD42.5	58.0	57.0	18.0	6.0	11.5	HX-NBAD42.5
AD54.5	73.0	70.0	20.0	7.0	12.0	HX-NBAD54.5



金属扩增环

Metal Enlarger

M / PG

CE ROHS

材质: 镀镍黄铜
防水圈: 丁腈橡胶、硅橡胶
防水等级: IP54
工作温度: 静态: -40°C到 100°C, 短时间达 120°C

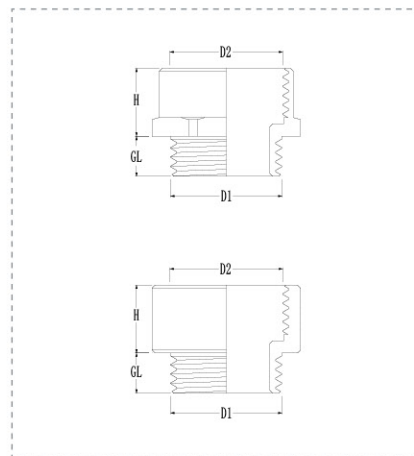
Material: Nickel-plated brass
O-Ring: NBR、Silicone rubber
Protection degree: IP54
Temperature: Static state: -40°C to 100°C
short time to 120°C



六角
Hexagonal



圆形
Round



规格 Item	螺纹 Thread		螺纹长度 GL	高度 H Joint Length	扳手径 Spanner size	产品编号 Code
	Outer	Inner				
M12-M16	M12×1.5	M16×1.5	5	10.5	18	HX-REM12-M16
M16-M20	M16×1.5	M20×1.5	5	10.5	22	HX-REM16-M20
M20-M25	M20×1.5	M25×1.5	6	11.5	27	HX-REM20-M25
M25-M32	M25×1.5	M32×1.5	7	12	34	HX-REM25-M32
M32-M40	M32×1.5	M40×1.5	7	13	42	HX-REM32-M40
M40-M50	M40×1.5	M50×1.5	8	16	52	HX-REM40-M50
M50-M63	M50×1.5	M63×1.5	9	17	66	HX-REM50-M63
PG7-PG9	PG7	PG9	6	10.5	17	HX-REPG7-PG9
PG9-PG11	PG9	PG11	6.5	10.5	20	HX-REPG9-PG11
PG11-PG13.5	PG11	PG13.5	6.5	10.5	22	HX-REPG11-PG13.5
PG13.5-PG16	PG13.5	PG16	6.5	11	24	HX-REPG13.5-PG16
PG16-PG21	PG16	PG21	7.5	11	30	HX-REPG16-PG21
PG21-PG29	PG21	PG29	8	11	39	HX-REPG21-PG29
PG29-PG36	PG29	PG36	9	13	50	HX-REPG29-PG36
PG36-PG42	PG36	PG42	10	15	57	HX-REPG36-PG42
PG42-PG48	PG42	PG48	10	16	64	HX-REPG42-PG48



金属减缩环

Metal Reducer

M / PG

CE ROHS

材质: 镀镍黄铜
 防水圈: 丁腈橡胶、硅橡胶
 防水等级: IP54
 工作温度: 静态: -40°C到 100°C, 短时间达 120°C

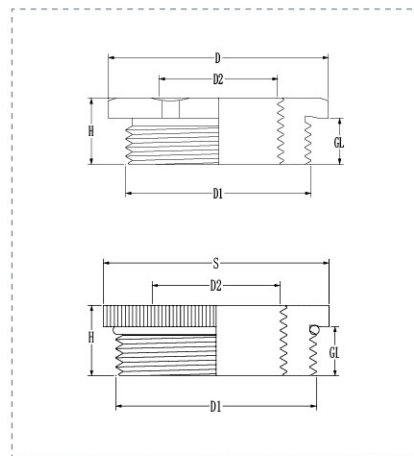
Material: Nickel-plated brass
 O-Ring: NBR、Silicone rubber
 Protection degree: IP54
 Temperature: Static state: -40°C to 100°C
 short time to 120°C



六角
Hexagonal



圆形
Round



规格 Item	螺纹 Thread		螺纹长度 GL	高度 H Joint Length	扳手径 \varnothing Spanner size	产品编号 Code
	Outer	Inner				
M16-M12	M16 × 1.5	M12 × 1.5	6	9	18	HX-REM16-M12
M20-M16	M20 × 1.5	M16 × 1.5	6.5	9.5	22	HX-REM20-M16
M25-M20	M25 × 1.5	M20 × 1.5	7.5	10.5	27	HX-REM25-M20
M32-M25	M32 × 1.5	M25 × 1.5	8	11.5	35	HX-REM32-M25
M40-M32	M40 × 1.5	M32 × 1.5	9	12.5	45	HX-REM40-M32
M50-M40	M50 × 1.5	M40 × 1.5	10	14	55	HX-REM50-M40
M63-M50	M63 × 1.5	M50 × 1.5	10	14	68	HX-REM63-M50
PG9-PG7	PG9	PG7	6	9	18	HX-REPG9-PG7
PG11-PG9	PG11	PG9	6.5	9.5	20	HX-REPG11-PG9
PG13.5-PG11	PG13.5	PG11	6.5	9.5	22	HX-REPG13.5-PG11
PG16-PG13.5	PG16	PG13.5	6.5	9.5	24	HX-REPG16-PG13.5
PG21-PG16	PG21	PG16	7.5	10.5	30	HX-REPG21-PG16
PG29-PG21	PG29	PG21	8	11.5	40	HX-REPG29-PG21
PG36-PG29	PG36	PG29	9	12.5	50	HX-REPG36-PG29
PG42-PG36	PG42	PG36	10	14	57	HX-REPG42-PG36
PG48-PG42	PG48	PG42	10	14	64	HX-REPG48-PG42



金属塞帽

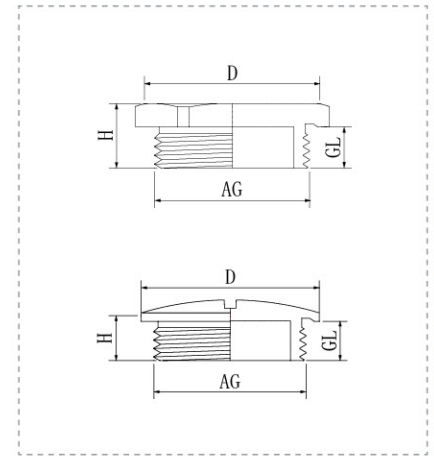
Metal Plug Cap

M / PG

CE ROHS

材质: 镀镍黄铜
防水圈: 丁腈橡胶、硅橡胶
防水等级: IP54
工作温度: 静态: -40°C到 100°C, 短时间达 120°C

Material: Nickel-plated brass
O-Ring: NBR、Silicone rubber
Protection degree: IP54
Temperature: Static state: -40°C to 100°C



六角
Hexagonal



圆形
Round

规格 Item	螺纹长度 GL	高度 H Joint Length	扳手径 Φ Spanner Size	产品编号 Code
PG7	5	8	14	HX-SCPG7
PG9	6	9	18	
PG11	6	9	20	
PG13.5	6.5	9.5	22	
PG16	6.5	9.5	24	
PG21	7.5	11	30	
PG29	8	12	40	
PG36	9	15	50	
PG42	10	16	57	
PG48	10	16	64	
M8×1	5	8	12	
M10×1	5	8	12	
M12×1.5	5	8	14	
M16×1.5	6	9	18	
M18×1.5	6	9	20	
M20×1.5	6.5	9.5	22	
M22×1.5	6.5	9.5	24	
M24×1.5	6.5	10	27	
M25×1.5	6.5	10	27	
M30×1.5	6.5	10	32	
M32×1.5	7	11	36	
M36×1.5	8	12	40	
M40×1.5	8	13	45	
M50×1.5	9	15	55	
M60×1.5	10	16	64	
M63×1.5	10	16	68	
M72×2	10	16	78	



尼龙塞帽

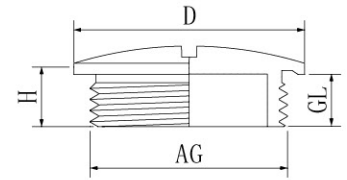
Nylon Plug Cap

M / PG

CE ROHS

材质: 采用 UL 认可的尼龙材料 PA66
 O型圈: 丁腈橡胶、硅橡胶等
 工作温度: 静态: -40°C到 100°C, 短时间达 120°C
 动态: -20°C到 80°C, 短时间达 100°C
 颜色定制: 灰色、黑色其他颜色可以定制

Material: PANYLON,UL 94 V-2
 O-Ring: NBR,silicone rubber
 Temperature: Static sate:-40°C to 100 °C ,short time to 120°C; Dynamic sate:-20°C to 80 °C ,short time to 100°C
 Color customization:Grey, Black, other color customized



型号 Model	螺纹尺寸 Thread size	螺纹长度 GL	螺纹外径 Thread O.D.	主体尺寸 Body size	扳手尺寸 Spanner size	产品编号 Code
M12	M12x1.5	8.5	12	12.5	15	HX-NLSCM12
M16	M16x1.5	8.5	16	13.0	19	HX-NLSCM16
M18	M18x1.5	9.0	18	13.0	22	HX-NLSCM18
M20	M20x1.5	9.0	20	13.0	25	HX-NLSCM20
M22	M22x1.5	10.5	22	15.0	27	HX-NLSCM22
M25	M25x1.5	10.5	25	15.5	29	HX-NLSCM25
M32	M32x1.5	10.5	32	16.0	38	HX-NLSCM32
M40	M40x1.5	11.5	40	18.0	46	HX-NLSCM40
M50	M50x1.5	13.5	50	18.0	56	HX-NLSCM50
M63	M63x1.5	14.0	63	19.0	68	HX-NLSCM63
PG7	PG7	8.5	12.5	12.5	15	HX-NLSCPG7
PG9	PG9	8.5	15.2	13.0	19	HX-NLSCPG9
PG11	PG11	9.0	18.6	13.0	22	HX-NLSCPG11
PG13.5	PG13.5	9.0	20.4	13.0	25	HX-NLSCPG13.5
PG16	PG16	10.5	22.5	15.0	27	HX-NLSCPG16
PG21	PG21	10.5	28.3	15.5	33	HX-NLSCPG21
PG29	PG29	11.5	37.0	16.0	44	HX-NLSCPG29
PG36	PG36	13.5	47.0	18.0	55	HX-NLSCPG36
PG42	PG42	13.5	54.0	18.5	62	HX-NLSCPG42
PG48	PG48	14.5	59.3	19.5	68	HX-NLSCPG48



螺母

Locknut

M / PG / G / NPT

CE ROHS

材质: 黄铜镀镍
应用: 螺纹连接或机板开孔螺母固定

Material: Nickel-plated brass
Application: For use with most electrical fittings



规格 Item	产品编号 Code	厚度 (H) Thickness	扳手径 (S) ♯ Spanner size	规格 Item	产品编号 Code	厚度 (H) Thickness	扳手径 (S) ♯ Spanner size
M12*1.5	HX-LNM12	3	14	PG7	HX-LNPG7	3	15
M14*1.5	HX-LNM14	3	17	PG9	HX-LNPG9	3	18
M16*1.5	HX-LNM16	3	18	PG11	HX-LNPG11	3	21
M18*1.5	HX-LNM18	3	20	PG13.5	HX-LNPG13.5	3	23
M20*1.5	HX-LNM20	3	22	PG16	HX-LNPG16	3.2	25
M22*1.5	HX-LNM22	3.2	24	PG19	HX-LNPG19	3.5	27
M24*1.5	HX-LNM24	3.5	27	PG21	HX-LNPG21	4	30
M25*1.5	HX-LNM25	3.5	27	PG25	HX-LNPG25	4	35
M27*1.5	HX-LNM27	4	30	PG29	HX-LNPG29	4	40
M30*1.5	HX-LNM30	4	32	PG36	HX-LNPG36	5.5	50
M32*1.5	HX-LNM32	4	35	PG42	HX-LNPG42	6	57
M33*1.5	HX-LNM33	4	36	PG48	HX-LNPG48	6.5	64
M36*1.5	HX-LNM36	4	40	PG63	HX-LNPG63	8.5	78
M37*1.5	HX-LNM37	4	40	G1/2	HX-LNG1/2	3	23
M40*1.5	HX-LNM40	4.5	45	G3/4	HX-LNG3/4	4	30
M42*1.5	HX-LNM42	5	45	G1	HX-LNG1	4	40
M47*1.5	HX-LNM47	5.5	50	G1-1/4	HX-LNG1-1/4	5.5	50
M48*1.5	HX-LNM48	5.5	52	G1-1/2	HX-LNG1-1/2	5.5	57
M50*1.5	HX-LNM50	5.5	55	G2	HX-LNG2	6	64
M54*1.5	HX-LNM54	5.5	57	G2-1/2	HX-LNG2-1/2	8.5	78
M60*1.5	HX-LNM60	6	64	G3	HX-LNG3	9	94
M63*1.5	HX-LNM63	6	68	NPT1/2	HX-LNNPT1/2	3	23
M64*2	HX-LNM64	6	68	NPT3/4	HX-LNNPT3/4	4	30
M72*2	HX-LNM72	8.5	78	NPT1	HX-LNNPT1	4	40
M75*2	HX-LNM75	8.5	78	NPT1-1/4	HX-LNNPT1-1/4	5.5	50
M80*2	HX-LNM80	9	88	NPT1-1/2	HX-LNNPT1-1/2	5.5	57
M88*2	HX-LNM88	9	94	NPT2	HX-LNNPT2	6	64
M100*2	HX-LNM100	9	110	NPT2-1/2	HX-LNNPT2-1/2	8.5	78
				NPT3	HX-LNNPT3	9	94



防磁型螺母

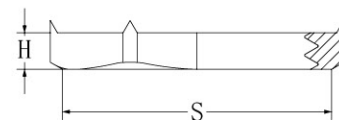
EMC Locknut

M / PG / G / NPT

CE ROHS

材质: 黄铜镀镍
应用: 螺纹连接或机板开孔螺母固定

Material: Nickel-plated brass
Application: For use with most electrical fittings



规格 Item	产品编号 Code	厚度 (H) Thickness	扳手径 (S) ♯ Spanner size	规格 Item	产品编号 Code	厚度 (H) Thickness	扳手径 (S) ♯ Spanner size
M12*1.5	HX-LNM12EMC	3	14	PG7	HX-LNPG7/EMC	3	15
M14*1.5	HX-LNM14EMC	3	17	PG9	HX-LNPG9/EMC	3	18
M16*1.5	HX-LNM16EMC	3	18	PG11	HX-LNPG11/EMC	3	21
M18*1.5	HX-LNM18EMC	3	20	PG13.5	HX-LNPG13.5/EMC	3	23
M20*1.5	HX-LNM20EMC	3	22	PG16	HX-LNPG16/EMC	3.2	25
M22*1.5	HX-LNM22EMC	3.2	24	PG19	HX-LNP19/EMC	3.5	27
M24*1.5	HX-LNM24EMC	3.5	27	PG21	HX-LNPG21/EMC	4	30
M25*1.5	HX-LNM25EMC	3.5	27	PG25	HX-LNPG25/EMC	4	35
M27*1.5	HX-LNM27EMC	4	30	PG29	HX-LNPG29/EMC	4	40
M30*1.5	HX-LNM30EMC	4	32	PG36	HX-LNPG36/EMC	5.5	50
M32*1.5	HX-LNM32EMC	4	35	PG42	HX-LNPG42/EMC	6	57
M33*1.5	HX-LNM33EMC	4	36	PG48	HX-LNPG48/EMC	6.5	64
M36*1.5	HX-LNM36EMC	4	40	PG63	HX-LNPG63/EMC	8.5	78
M37*1.5	HX-LNM37EMC	4	40	G1/2	HX-LNG1/2EMC	3	23
M40*1.5	HX-LNM40EMC	4.5	45	G3/4	HX-LNG3/4EMC	4	30
M42*1.5	HX-LNM42EMC	5	45	G1	HX-LNG1EMC	4	40
M47*1.5	HX-LNM47EMC	5.5	50	G1-1/4	HX-LNG1-1/4EMC	5.5	50
M48*1.5	HX-LNM48EMC	5.5	52	G1-1/2	HX-LNG1-1/2EMC	5.5	57
M50*1.5	HX-LNM50EMC	5.5	55	G2	HX-LNG2EMC	6	64
M54*1.5	HX-LNM54EMC	5.5	57	G2-1/2	HX-LNG2-1/2EMC	8.5	78
M60*1.5	HX-LNM60EMC	6	64	G3	HX-LNG3EMC	9	94
M63*1.5	HX-LNM63EMC	6	68	NPT1/2	HX-LNNPT1/2EMC	3	23
M64*2	HX-LNM64EMC	6	68	NPT3/4	HX-LNNPT3/4EMC	4	30
M72*2	HX-LNM72EMC	8.5	78	NPT1	HX-LNNPT1EMC	4	40
M75*2	HX-LNM75EMC	8.5	78	NPT1-1/4	HX-LNNPT1-1/4EMC	5.5	50
M80*2	HX-LNM80EMC	9	88	NPT1-1/2	HX-LNNPT1-1/2EMC	5.5	57
M88*2	HX-LNM88EMC	9	94	NPT2	HX-LNNPT2EMC	6	64
M100*2	HX-LNM100EMC	9	110	NPT2-1/2	HX-LNNPT2-1/2EMC	8.5	78
				NPT3	HX-LNNPT3EMC	9	94



RSG 环保无卤阻燃热缩管

RSG environmentally friendly halogen-free flame retardant heat shrinkable tube



RSG

RSG、MPG 热缩套管是一种新兴高科技产品，它具有良好的物理化学特性、耐腐蚀、绝缘散热和阻燃性能，为电气、通信等工程提供一种高新绝缘防护材料，适用于铜排、铝排，电线电缆和电缆端子及接头的绝缘，保护和标识，电器系统线状元器件，终端及接头的绝缘保护和柔软线束的导线成束。且使用方便，只需用热风枪，煤气焊枪或烘箱加热即可将套管收缩。

RSG、MPG low temperature flame-resist heat-shrinkable tubes are new high-tech products. They have good physical and chemical performance such as corrosion-resistance insulate and flame-resistance. They are new materials for the power and communication projects. They apply in the insulate of the cable and terminal and connector, protection and mark, linear components used in the power system, insulated protection of the terminal and connector and handling the conduct wire of the soft cable. As only heat gun can shrink them, they are easily used.

RSG(HBRSG) □□ - C - □□ / □□

- 表示收缩后内径
Inner dimension after shrinkage
- 表示收缩前内径
Inner dimension before shrinkage
- 表示颜色 R-红色, Y-黄色, G-绿色, B-黑色, C-透明, W-白色,
Color R-red, Y-Yellow, G-Green, B-Black, C-Transparent, W-White,
BL-蓝
BL-blue
- 表示电压等级: 01表示 1KV, 10表示 10KV
Voltage 01-1kV, 1-10kV, 35-35kV
- RSG表示连续长度低高压阻燃热缩套管
RSG Continuous length of low temperature flame-resistance
heat-shrinkable tube
- HBRSG表示低烟无卤环保套管
HBRSG halogen with low-smoke and free heat-shrink able tube



规格参数 单位: mm

序号 No.	项目 Item	质量指标 Quality date	序号 No.	项目 Item	质量指标 Quality date
1	收缩温度 (°C) Shrunk temperature (°C)	100-110	2	偏壁率 (%) Deviation partitcon ratio (%)	≤ 30
3	径向收缩率 (%) Radial shrinkage ratio (%)	> 50	4	轴向收缩率 (%)	±5
5	拉伸强度 (Mpa) Tensile strength (Mpa)	> 12	6	阻燃性能 Flame-resistance performance	VW-1
7	击穿强度 (kV/mm) Breakdown strength (kV/mm)	≥ 20	8	断裂伸长率 (%) Broken extension ratio (%)	> 300
9	使用温度 (°C) Usage temperature (°C)	-30 ~ 125	10	使用电压 (V) Usage voltage (V)	600

HBRSG 低烟无卤环保热缩套管

Hbrsg Low-Smoke And Halogen-Free Environmentally Friendly Heat Shrink Tube



HBRSG

HBRSG 是一种环保型低烟无卤阻燃收缩套管，燃烧时不常浓烟及二恶英类有害环境的物质，符合 RoHs 等优点，聚优良的阻燃、绝缘、耐高温性能、柔软有弹性，可广泛用于地铁、高层建筑、公共设施等环保要求严格的领域。

HBRSG is an environmentally-friendly low-smoke and halogen-free flame-retardant shrink tube. No heavy smoke or dioxins which is harmful for environment, meet requirement of RoHs. With good performance of flame-retardant, insulation, heat-resisting, soft and elastic. Widely used in areas with strict environmental protection requirements, such as subways, high-rise buildings and public facilities.



规格参数 单位: mm

产品图片 Product pictures	规格 Item	收缩前内径 Inner dimension (before heat-shrink)	收缩后内径 Inner dimension (after heat-shrink)	收缩后壁厚 Wall thickness (after heat-shrink)	包装 (米 / 盘) m/plate
	1.0/0.5	1.0±0.3	0.5±0.1	0.25±0.01	200
	2.0/1.0	2.0±0.3	1.0±0.1	0.25±0.01	200
	3.0/1.5	3.0±0.3	1.5±0.1	0.30±0.01	200
	4.0/2.0	4.0±0.3	2.0±0.1	0.34±0.01	100
	5.0/2.5	5.0±0.3	2.5±0.2	0.46±0.01	100
	6.0/3.0	6.0±0.4	3.0±0.2	0.46±0.04	100
	8.0/4.0	8.0±0.4	4.0±0.2	0.48±0.01	100
	10./5.0	10.0±0.4	5.0±0.2	0.52±0.01	100
	12.0/6.0	12.0±0.4	6.0±0.3	0.54±0.01	100
	14.0/7.0	14.0±0.4	7.0±0.3	0.56±0.01	100
	16.0/8.0	16.0±0.5	8.0±0.3	0.62±0.01	100
	18.0/9.0	18.0±0.5	9.0±0.3	0.70±0.02	100
	20.0/10.0	20.0±0.5	10.0±0.3	0.72±0.02	100
	22.0/11.0	22.0±0.5	11.0±0.3	0.75±0.02	100
	25.0/12.5	25.0±0.8	12.0±1.0	0.80±0.02	25
	30.0/15.0	30.0±0.8	15.0±1.0	0.82±0.02	25
	35.0/17.5	35.0±0.8	17.5±1.0	0.82±0.02	25
	40.0/20.0	40.0±1.5	20.0±1.0	0.82±0.02	25
	50.0/25.0	50.0±1.5	25.0±1.0	0.82±0.02	25
	60.0/30.0	60.0±1.5	30.0±1.5	0.93±0.02	25
	70.0/35.0	70.0±1.5	35.0±1.5	0.95±0.02	25
	80.0/40.0	80.0±1.5	40.0±1.5	0.95±0.02	25
	90.0/45.0	90.0±1.5	45.0±1.5	1.10±0.02	25
	100.0/50.0	100.0±1.5	50.0±1.5	1.10±0.02	25
	120.0/60.0	120.0±1.5	60.0±1.5	1.10±0.02	25
	150.0/75.0	150.0±1.5	75.0±1.5	1.15±0.02	25

注：以上产品黑色为标准色：红、黄、兰、白、透明色为辅助品种，特殊产品需提前两个星期时间订货。载切管需加 5 分 / 米载切费，如载切长度小于 6mm 载管需加 8 分 / 米载切费。

Note:

Standard color:black(default color)

Other color:red,yellow,blue,white,transparent.

Customized products need be order 2 weeks in advance.

Cutting cost:0.05 RMB/m. 0.08 RMB/m.(Cutting length less than 6mm)

10kV/35kV 连续、分段热缩母排管

10Kv/35Kv Long/Short Bus Bar Heat Shrink Tubing



10kV/35kV

产品是一种具有良好的绝缘材料，主要应用于高压开关柜、电厂、变电站中母线排的绝缘保护。可以起到防止异物搭接、防止小动物短路、防止维护人员误入带电间隙 / 防止凝露短路、增加相间绝缘等作用。

It's a good insulating material, mainly used for insulation protection of busbars in high voltage switchgear, power plant and substations. It can prevent foreign object from overlapping, prevent short circuit caused by small animals intrusion, prevent maintainer from straying in chageing gap, prevent condensation and increase the effect of phase insulation.



主要性能指标 Main performance indicators

序号 No.	检测项目 Test items	标准要求 Standary requirements	检测结果 Test result
1	1 min 相对相工频耐压试验 1 min phase-phase power frequency withstand test	42kV 不闪络、不击穿 42kV no flash and no breakdown	42kV, 1min, 试样未闪络和击穿 42kV, 1min, no flash and no breaklow sampe
2	相对相冲击电压试验 phase-phase impulse voltage test	75kV 正负极性各 15 次; 相对相冲击耐压试验; 不闪络 75kV 15 times phase-phase impulse with stand test of the positive and the negative respectively, no flash and no breakdown	75kV 正负极性各 15 次; 试样未闪络和击穿 75kV 15 times
3	1 min 相对地工频耐压试验 1 min phase-earth, power frequency with stand test	42kV 不闪络、不击穿 42kV no flash and no breakdown	42kV, 1min, 试样未闪络和击穿 42kV, 1min, no flash and no breaklow sampe
4	相对相冲击电压试验 phase-phase impulse voltage test	75kV 正负极性各 15 次; 相对相冲击耐压试验; 不闪络 75kV 15 times phase-phase impulse with stand test of the positive and the negative respectively, no flash and no breakdown	75kV 正负极性各 15 次; 试样未闪络和击穿
5	温升试验 temperture rise test	环境温度为 40°C 下收缩绝缘套管后的铜排温升应不大于裸铜排温升	裸铜排温升 45.7°C 绝缘铜排温升: 41.4°C
6	热缩管耐压试验 with stand test of the heat-shrinkable tube	20kV, 1min 不击穿 20kV 1min no breakdown	20kV, 1 min 不击穿 20kV 1min no breakdown

10kV/35kV 连续、分段热缩母排管

10Kv/35Kv Long/Short Bus Bar Heat Shrink Tubing

10kV/35kV



规格参数 单位: mm

名称 Name	型号 Model	使用母排宽度 Width of busbars	包装 (米 / 盘) Packing (m/plate)
10kv 连续 / 分段母排	MPG10-25/10	20-30	25
	MPG10-30/12	30-40	25
	MPG10-40/16	40-50	25
	MPG10-50/20	50-60	25
	MPG10-70/30	60-70	25
	MPG10-80/35	80-90	25
	MPG10-90/40	100-110	25
	MPG10-100/45	120	25
	MPG10-120/50	140	25
	MPG10-150/60	180	25
35kv 连续 / 分段母排	MPG35-25/10	20-30	25
	MPG35-30/12	30-40	25
	MPG35-40/16	40-50	25
	MPG35-50/20	50-60	25
	MPG35-60/25	60-70	25
	MPG35-70/30	80-90	25
	MPG35-80/35	90-100	25
	MPG35-90/40	100-110	25
	MPG35-100/45	120	25
	MPG35-120/50	140	25
MPG35-150/60	180	25	

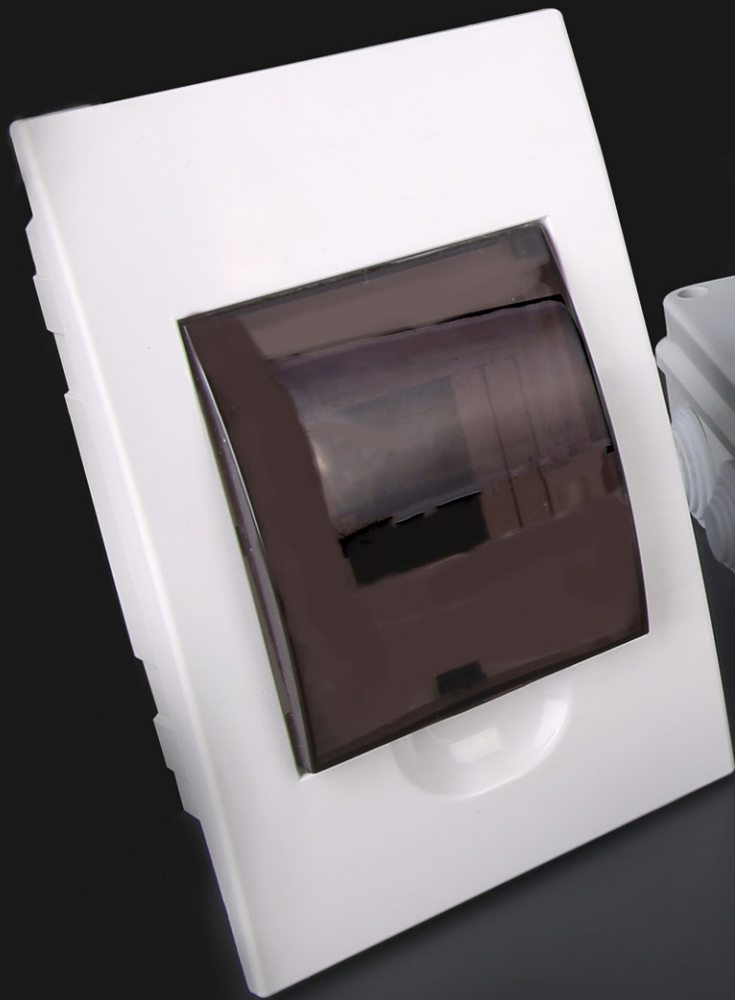


Hoonsun

Fifteen years for only one thing!

防水接线盒

Waterproof Junction Box





防水接线盒

Waterproof Junction Box-RA/B series



RA / B 系列

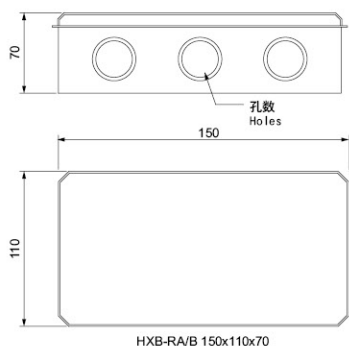
CE ROHS

壳体材料: ABS
 孔塞材料: PVC
 材料特性: 抗冲击性, 耐热性, 耐低温性, 耐化学药品性及电气性能优良, 表面光泽性好等特点
 认证: CE、ROHS
 用途: 适用于室内, 室外电气, 通信, 消防设备, 钢铁冶炼, 石油化工, 电子电力, 铁路, 建筑工地, 采矿场, 机场, 宾馆, 船舶, 大型工厂, 沿海工厂, 卸货码头设备, 污水处理设施, 环境公害设施等。
 安装方式: 1: 内部安装: 盒子内部有供线路板或 DIN 轨道元件安装的凸台;
 2: 外部安装: 可通过盒体底部的安装孔直接固定于墙面 (可通过盒子的四个角, 直接用螺丝或钉子固定在墙上货板上。)
 进出线孔: 1: HXB-R-A 防水盒可以根据 (是否穿线选择开孔。电线大小在现有孔塞上选择使用, 或配套防水夹紧接头, 达到防水最佳效果。
 2: HXB-R-B 防水盒可以根据电线大小在现有孔塞上选择使用, 或配套防水夹紧接头, 达到防水最佳效果。

Body material:ABS
 Stopper material:PVC
 Material characteristics:Impact,heat,low temperature and chemical resistance,excellent electrical performance and surface gloss,etc.
 Certificates:CE,ROHS
 Protection grade:IP65
 Application:Suitable for indoor and outdoor electric,communication,fire fighting apparatus,iron and steel smelting,petrochemical industry,electron,power system ,railway,building,mine,air and sea port,hotel,ship,works,waste water treatment equipment,environment equipment and so on.
 Installation:1:Inside:There are the installation holes in the base for circuit board or din rail(More than 2 pcs of M4 brass nuts have been in the base).
 2:Outside:The products can be directly fixed on the wall or other flat boards with screws or nails via the screw holes in the base.
 Outlet hole:1:Holes can be opened or not on the box as customers' requirements ,and installing cable gland can bring with better waterproof performance.
 2:Holes can be chosen according to the cable diameter from the existing holes on the box .and installing cable gland can bring with better waterproof performance.

规格参数 单位: mm

型号 Model Code	孔数 Hole QTY	孔径 (mm) Hole Size	IP	毛重(KG) G. Weight	净重 (KG) G. Weight	装箱数 (只) Qty/Carton	外箱尺寸 (cm) Carton Dimension
HXB-RA/B 50x50	4	25	55	13.5	12.3	300	46*38*51
HXB-RA/B 80x50	4	25	55	14.7	13.4	240	53*35*62
HXB-RA/B 85x85x50	7	25	55	17.2	16	200	53*41*53
HXB-RA/B100x100x70	7	25	65	14.9	13.5	100	62*49*35
HXB-RA/B150x110x70	10	25	65	15.1	13.8	60	67*33*46.5
HXB-RA/B150x150x70	8	25	65	16.3	15	60	84.5*34*45
HXB-RA/B200x100x70	8	25	65	16.6	15.3	60	61*46*42
HXB-RA/B200x155x80	10	36	65	14.5	13.2	40	69.5*43.5*42
HXB-RA/B200x200x80	12	36	65	18	16.6	40	90*46*40.5
HXB-RA/B255x200x80	12	36	65	21.9	20.1	40	55*45*78.5
HXB-RA/B255x200x120	12	36	65	21.9	20.1	30	64*55*62
HXB-RA/B300x250x120	12	36	65	20.3	18.4	20	61.5*55.5*63
HXB-RA/B400x350x120	16	36	65	15	13.3	10	74.5*42.5*61.5



RB 系列
RB series



RA 系列
RA series

防水接线盒

Waterproof Junction Box-KT-seires



CE ROHS

KT 系列

壳体材料: ABS 或 PC

材料特性: 抗冲击性、耐热性、耐低温性、耐化学药品性及电气性能优良、表面光泽性好等特点

认证: CE、ROHS

防护等级: IP65

用途: 适用于室内、室外电气、通信、消防设备、钢铁冶炼、石油化工、电子、电力、铁路、建筑工地、采矿场、机场、宾馆、船舶、大型工厂、沿海工厂、卸货码头设备、污水处理设施、环境公害设施等。

安装方式: 1. 内部安装: 盒子内部有供线路板或 DIN 轨道元件安装的凸台, 及自带的铜接线螺母 (每只防水盒内部都配有最少二个以上的很常规的 M4 的铜螺母)

2. 外部安装: 可通过盒体底部的安装孔直接固定于墙面 (可通过盒子的四个角, 直接用螺丝或钉子固定在墙上或板上)。

进出线孔: 防水盒可以随意根据客户的使用要求在上面开孔 (开孔位置及开孔大小都可以按照客户指定要求加工)。开孔后可以装有配套的防水紧接头, 达到防水最佳效果。

Body material: ABS or PC

Material characteristics: Impact, heat, low temperature and chemical resistance, excellent electrical performance and surface gloss, etc.

Certificates: CE, ROHS

Protection grade: IP65

Application: Suitable for indoor and outdoor electric, communication, fire fighting apparatus, iron and steel smelting, petrochemical industry, electron, power system, railway, building, mine, air and sea port, hotel, ship, works, waste water treatment equipment, environment equipment and so on.

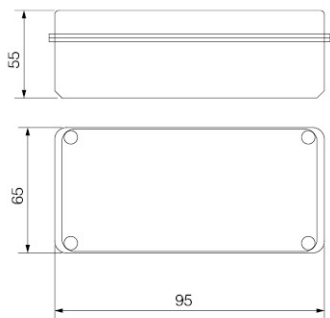
Installation: 1. Inside: There are the installation holes in the base for circuit board or din rail (More than 2 pcs of M4 brass nuts have been in the base).

2. Outside: The products can be directly fixed on the wall or other flat boards with screws or nails via the screw holes in the base.

Outlet hole: Holes can be opened on the box as customers' requirements, and installing cable gland can bring with better waterproof performance.

规格参数 单位: mm

型号 Model Code	毛重 (KG) G. Weight	装箱数 (只) Qty/Carton	外箱尺寸 (cm) Carton Dimension	型号 Model Code	毛重 (KG) G. Weight	装箱数 (只) Qty/Carton	外箱尺寸 (cm) Carton Dimension
HXB-KT 65×50×55	21.5/20.0	300	52×41×29.5	HX-KT 200×150×130	21.6/20.1	40	61.5×41×68.5
HXB-KT 96×65×55	25.1/23.6	240	49.5×40.5×46.5	HX-KT 200×200×95	18.5/17.0	30	62×42×49.5
HXB-KT 100×100×75	20.4/18.9	100	52×42×39.5	HX-KT 200×200×130	14.6/13.1	20	42×42×67
HXB-KT 110×80×45	24.3/22.8	200	46×42×47	HX-KT 250×80×70	15.7/14.2	50	52×41×36
HXB-KT 110×80×70	20.0/18.5	120	57×33.5×45	HX-KT 250×80×85	18.8/17.3	50	52×42×44.5
HXB-KT 110×80×85	19.7/18.2	100	57×33.5×45	HX-KT 250×150×100	11.5/10.0	20	52×32×52
HXB-KT 125×125×75	16.6/15.1	60	52×39.5×39.5	HX-KT 250×150×130	17.1/15.6	30	52×47×67
HXB-KT 125×125×100	19.4/17.9	60	52×39.5×52	HX-KT 280×190×130	10.6/9.1	10	40×30×67
HXB-KT 130×80×70	21.4/19.9	120	54×41.5×45	HX-KT 280×190×180	14.5/13.0	12	58×40×56
HXB-KT 130×80×85	25.4/23.9	120	54×50×44.5	HX-KT 280×280×130	8.6/7.1	6	58×58×41
HXB-KT 160×80×55		100	42×34×57	HX-KT 280×280×180	9.6/8.1	6	58×58×56
HXB-KT 160×80×95		50	42×34×49.5	HX-KT 340×280×130	9.5/8.1	6	57.5×35×41
HXB-KT 170×140×95	17.8/16.3	50	57.5×52×49.5	HX-KT 340×280×180	7.9/6.4	4	57.5×35×37.5
HXB-KT 175×125×75	17.0/15.5	50	54×52.5×32	HX-KT 340×190×130	10.9/9.4	8	40×40×54
HXB-KT 175×125×100	11.9/10.4	30	39.5×37×52	HX-KT 380×190×180	12.5/11	6	40×59×38
HXB-KT 175×175×100	14.4/12.9	30	54.5×37×53.5	HX-KT 380×280×130	9.8/8.3	6	57.5×39×41
HXB-KT 180×80×70	20.4/18.9	90	56×41×46	HX-KT 380×280×180	8.0/6.5	4	57.5×39×37.5
HXB-KT 200×150×100	28.5/27	30	47×42×67				



HXB-GT

壳体材料: ABS 或 PC

材料特性: 抗冲击性、耐热性、耐低温性、耐化学药品性及电气性能优良、表面光泽性好等特点

认证: CE、ROHS

防护等级: IP65

用途: 适用于室内、室外电气、通信、消防设备、钢铁冶炼、石油化工、电子、电力、铁路、建筑工地、采矿场、机场、宾馆、船舶、大型工厂、沿海工厂、卸货码头设备、污废水处理设施、环境公害设施等。

安装方式: 1. 内部安装: 盒子内部有供线路板或 DIN 轨道元件安装的凸台, 及自带的铜接线螺母 (每只防水盒内部都配有最少二个以上的很常规的 M4 的铜螺母)

2. 外部安装: 可通过盒体底部的安装孔直接固定于墙面 (可通过盒子的四个角, 直接用螺丝或钉子固定在墙上或板上)。

进出线孔: 防水盒可以随意根据客户的使用要求在上面开孔 (开孔位置及开孔大小都可以按照客户指定要求加工)。开孔后可以装有配套的防水紧接头, 达到防水最佳效果。

Body material: ABS or PC

Material characteristics: Impact, heat, low temperature and chemical resistance, excellent electrical performance and surface gloss, etc.

Certificates: CE, ROHS

Protection grade: IP65

Application: Suitable for indoor and outdoor electric, communication, fire fighting apparatus, iron and steel smelting, petrochemical industry, electron, power system, railway, building, mine, air and sea port, hotel, ship, works, waste water treatment equipment, environment equipment and so on.

Installation: 1. Inside: There are the installation holes in the base for circuit board or din rail (More than 2 pcs of M4 brass nuts have been in the base).

2. Outside: The products can be directly fixed on the wall or other flat boards with screws or nails via the screw holes in the base.

Outlet hole: Holes can be opened on the box as customers' requirements, and installing cable gland can bring with better waterproof performance.

规格参数

型号 Model Code	毛重 (KG) G. Weight	净重 (KG) G. Weight	装箱数 (只) Qty/Carton	外箱尺寸 (cm) Carton Dimension
HXB-GT 300×200×160	12.9	11.4	8	60×46×32
HXB-GT 300×200×180	13.4	11.9	8	64.5×40.5×54
HXB-GT 300×200×180	13.8	12.3	6	61.5×34×56.5
HXB-GT 400×300×180	17	15.5	6	66×41×56.5
HXB-GT 500×400×200	13.5	12	3	51×44×63
HXB-GT 600×400×220	17.5	16	3	61.5×41×68.5



MS 系列

CE ROHS

壳体材料: ABS

透明门板: PC

接线端子: 铜

材料特性: 抗冲击性、耐热性、耐低温性、耐化学药品性及电气性能优良、表面光泽性好等特点

认证: CE、ROHS

防护等级: IP50

用途: 适用于室内、室外电气、通信、消防设备、钢铁冶炼、石油化工、电子、电力、铁路、建筑工地、采矿场、机场、宾馆、船舶、大型工厂、沿海工厂、卸货码头设备、污废水处理设施、环境公害设施等。

安装方式: 可选择明装或者暗装

1. 内部安装: 盒子内部有供导轨式断路器安装的导轨, 及用于接线的零线排和地线排。

2. 外部安装: 可通过箱体底部的安装孔直接固定于墙面(可通过盒子的四个角, 直接用螺丝或钉子固定在墙上或板上)。

进出线孔: 箱体设有可供穿线的预留孔。

Body material: ABS

Transparent door: PC

Earth/Natural bars: Brass

Material characteristics: Impact, heat, low temperature and chemical resistance, excellent electrical performance and surface gloss, etc.

Certificates: CE, ROHS

Protection grade: IP50

Application: Suitable for indoor and outdoor electric, communication, fire fighting apparatus, iron and steel smelting, petrochemical industry, electron, power system, railway, building, mine, air and sea port, hotel, ship, works, waste water treatment equipment, environment equipment and so on.

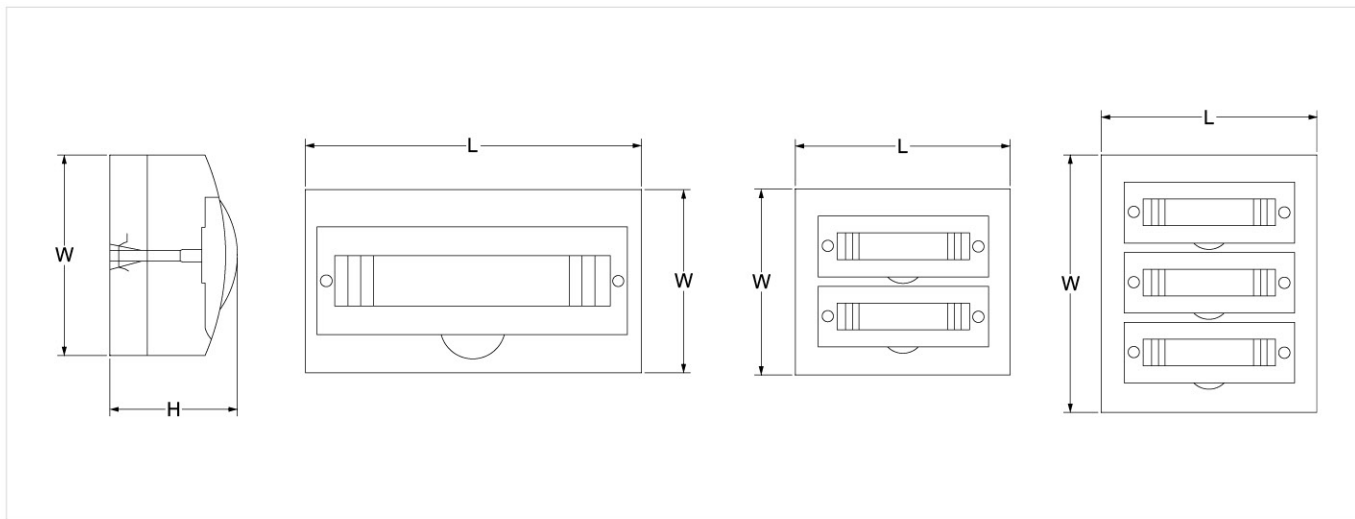
Installation: 1. Inside: There are din rail inside for din-rail type circuit breakers, earth bar and natural bar for cable connection.

2. Outside: The products can be directly fixed on the wall or other flat boards with screws or nails via the screw holes in the base.

Outlet hole: The plastic plate in the hole can be knocked off for cables.

规格参数 单位: mm

型号 Model Code	外形尺寸 Outside Dimension(mm)			毛重 (KG) G. Weight	净重 (KG) G. Weight	装箱数 (只) Qty/Carton	外箱尺寸 (cm) Carton Dimension
	L	W	H				
HXB-MS 4WAY	112	200	95	11.5	8.7	30	51×36×45.5
HXB-MS 6WAY	148	200	95	14.9	11.5	30	51×42.5×50
HXB-MS 8WAY	184	200	95	16.7	12.8	30	52×43.5×59.5
HXB-MS 10WAY	222	200	95	13	9.8	20	51×43×48.5
HXB-MS 12WAY	256	200	95	14.8	11.5	20	52×43×55
HXB-MS 15WAY	310	200	95	12.8	9.9	15	50.5×33.5×64
HXB-MS 18WAY	365	222	95	15.2	12.8	15	52×38×71
HXB-MS 24WAY	271	325	97	13.2	10.3	10	55×35×57.5
HXB-MS 36WAY	271	462	100	18.5	14.8	5	54.5×28.5×48



尼龙扎带

Nylon Cable Tie



CE ROHS

HX-ZD

材质: 采用UL认可之尼龙66料制成, 防火等级94V-2, 耐酸、耐蚀、绝缘性良好, 不易老化、承受力强

颜色: 标准颜色为本色材质: 采用UL认可之尼龙66料制成, 防火等级94V-2, 耐酸、耐蚀、绝缘性良好, 不易老化、承受力强(白色), 另有抗外紫外线之黑色, 特殊颜色欢迎订做。

Material: Nylon 66 approved by UL, 94V-2, acid proof, corrosion-resistant and not easy to age.

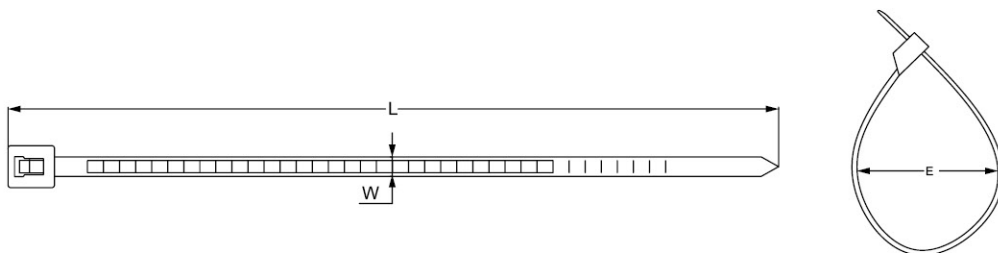
Color: Natural (or white, standard color), UV black and other colors are available as requested.

规格参数

型号 Item No.	长 L		宽 W	捆扎范围 E Bundle diameter	承受力 Tensile strength	
	Inch	mm				
HXZD-2.5×100	4.0"	100	2.5	2-22	18	8
HXZD-2.5×150	6.0"	150		2-35		
HXZD-2.5×200	8.0"	200		2-50		
HXZD-3.5×150	6.0"	150	3.5	3-35	40	18
HXZD-3.5×200	8.0"	200		3-65		
HXZD-3.5×250	10"	250		3-70		
HXZD-3.5×300	12"	300		3-80		
HXZD-3.5×370	14.6"	370		3-85		
HXZD-4.8×150	6.0"	150	4.8	4-35	50	22
HXZD-4.8×200	8.0"	200		4-50		
HXZD-4.8×250	10"	250		4-65		
HXZD-4.8×300	12"	300		4-80		
HXZD-4.8×370	14.6"	370		4-85		
HXZD-4.8×100	4.0"	100		4-22		
HXZD-4.8×120	4.7"	120		4-30		
HXZD-4.8×180	7.1"	180		4-50		
HXZD-4.8×350	14"	350		4-82		
HXZD-4.8×370	14.6"	370		4-65		
HXZD-4.8×400	16"	400		4-105		
HXZD-4.8×450	18"	450		4-118		
HXZD-4.8×500	20"	500		4-150		
HXZD-4.8×650	25.6"	650		4-185		
HXZD-4.8×760	30"	760	4-200			
HXZD-7.6×200	8.0"	200	7.6	5-50	120	55
HXZD-7.6×250	10"	250		5-65		
HXZD-7.6×300	12"	300	7.2	5-80		
HXZD-7.6×350	14"	350	7.6	5-82		
HXZD-7.6×370	14.5"	370	7.6	5-85		
HXZD-7.6×400	16"	400	7.6	5-105		
HXZD-7.6×450	18"	450		5-118		
HXZD-7.6×500	20"	500		5-150		
HXZD-7.6×550	21.6"	550		5-160		

HX-ZD

型号 Item No.	长 L		宽 W	捆扎范围 E Bundle diameter	承受力 Tensile strength	
	Inch	mm				
HXZD-8.8×400	16	400	8.8	6-105	170	75
HXZD-8.8×450	18	450		6-118		
HXZD-8.8×500	20	500		6-105		
HXZD-8.8×550	21.6	550		6-160		
HXZD-8.8×600	23.6	600		6-170		
HXZD-8.8×650	25.6	650		6-185		
HXZD-8.8×700	27.6	700		6-190		
HXZD-8.8×760	30	750		6-200		
HXZD-8.8×800	31.5	800		6-230		
HXZD-8.8×900	35.5	900		6-265		
HXZD-8.8×1000	39.4	1000		6-300		



不锈钢扎带

Stainless steel Cable Tie



CE ROHS

产品材料: 不锈钢材质 304 或 316
 操作温度: -60℃ -150℃
 产品描述: 阻燃
 材料特性: 抗紫外线
 产品特性: 滚珠式自锁结构有利于加快安装速度

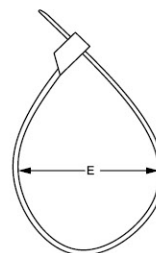
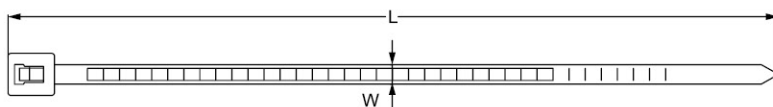
Material: SS304orSS316
 Working Temp: -60℃ -150℃
 Description: Entirely metallic
 Flammability: Fireproof
 Other Properties: UV-resistant
 Product Feature: Ball-Lock type self-lock system will speed the installation

规格参数

型号 ITEM NO	宽度 W		长度 L		厚度 Thickness		最大捆绑直径 Max. bundle range		最小捆绑直径 Min. bundle range		最小拉力 Min. pulling force	
	MM	INCH	MM	INCH	MM	INCH	MM	INCH	MM	INCH	N	lbs
HX-SD 4.6*100	4.6	0.18	100	3.9	0.26	0.01	25	1	12.7	0.5	1100	250
HX-SD 4.6*150			150	5.9			37	1.46				
HX-SD 4.6*200			200	7.9			50	1.97				
HX-SD 4.6*250			250	9.8			63	2.5				
HX-SD 4.6*300			300	11.8			76	3				
HX-SD 4.6*350			350	13.8			89	3.51				
HX-SD 4.6*400			400	15.7			102	4				
HX-SD 4.6*450			450	17.7			115	4.5				
HX-SD 4.6*500			500	19.7			128	5				
HX-SD 4.6*550			550	21.7			141	5.56				
HX-SD 4.6*650			650	25.6			167	6.58				
HX-SD 4.6*700			700	27.6			179	7.05				
HX-SD 4.6*800			800	31.5			193	7.6				
HX-SD 4.6*900			900	35.4			200	7.87				
HX-SD 4.6*1000			1000	39.4			206	8.12				
HX-SD 4.6*1100			1100	43.3			278	10.94				
HX-SD 7.9*200	7.9	0.31	150	5.9	0.26	0.01	37	1.46	12.7	0.5	1500	340
HX-SD 7.9*250			200	7.9			50	1.97				
HX-SD 7.9*300			250	9.8			63	2.5				
HX-SD 7.9*350			300	11.8			76	3				
HX-SD 7.9*400			350	13.8			89	3.5				
HX-SD 7.9*450			400	15.7			102	4				
HX-SD 7.9*500			450	17.7			115	4.5				
HX-SD 7.9*600			600	23.6			154	6.07				
HX-SD 7.9*800			800	31.5			193	7.6				
HX-SD 7.9*1000			1000	39.4			206	8.12				
HX-SD 10*300	10	0.39	300	11.8	0.26	0.01	76	3	12.7	0.5	2100	480
HX-SD 10*350			350	13.8			89	3.5				
HX-SD 10*400			400	15.7			102	4				
HX-SD 10*500			500	19.7			128	5				
HX-SD 10*600			600	23.6			154	6.07				
HX-SD 10*800			800	31.5			193	7.6				
HX-SD 10*1000			1000	39.4			206	8.12				
HX-SD 12*350	12	0.47	350	13.8	0.35	0.014	78	3.07	25.4	1	3000	675
HX-SD 12*400			400	15.7			102	4.02				
HX-SD 12*500			500	19.7			128	5.04				
HX-SD 12*600			600	23.6			154	6.06				
HX-SD 12*750			750	29.5			188	7.4				
HX-SD 12*900			900	35.4			228	8.98				
HX-SD 12*1100			1100	43.3			278	10.94				

Other Matched Accessories

型号 Item No	宽度 W		长度 L		厚度		最大捆绑直径		最小捆绑直径		最小拉力	
	mm	Inch	mm	Inch	mm	Inch	mm	Inch	mm	Inch	n	lbs
HX-SD 12.7*350	12.7	0.5	350	13.8	0.35	0.014	78	3.07	25.4	1	3200	720
HX-SD 12.7*400			400	15.7			102	4.02				
HX-SD 12.7*500			500	19.7			128	5.04				
HX-SD 12.7*600			600	23.6			154	6.06				
HX-SD 12.7*750			750	29.5			188	7.4				
HX-SD 12.7*900			900	35.4			228	8.98				
HX-SD 12.7*1100			1100	43.3			278	10.94				
HX-SD 15*350			15	0.59			350	13.8				
HX-SD 15*400	400	15.7			102	4.02						
HX-SD 15*450	450	17.7			108	4.25						
HX-SD 15*600	600	23.6			148	5.83						
HX-SD 15*750	750	29.5			184	7.24						
HX-SD 15*900	900	35.4			220	8.66						
HX-SD 15*1100	1100	43.3			272	10.71						



International Protection, EN 60529

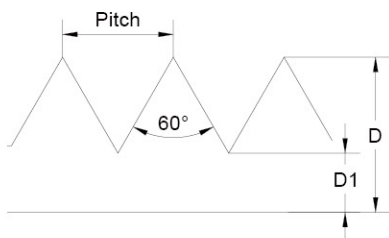
1.Code		2.Code	Protection of water	Non-protected	Protection against dripping water	Protection against vertically falling water drop when device is tilted up to 15°	Water sprayed at an angle up to 60° on either side of the vertical shall have no harmful effects	Water splashed from any direction shall have no harmful effects	Water projected in Powerful jet from any direction shall have no harmful effects	Water projected in Powerful jet from any direction shall have no harmful effects	Protection against temporary submersion	Protection against permanent submersion
Protection against human access to hazardous parts	Protection of equipment against penetration of solid foreign objects			IPx0	IPx1	IPx2	IPx3	IPx4	IPx5	IPx6	IPx7	IPx8
Non-protected	Non-protected	IP0x		IP00								
Protected against access to hazardous parts with the back of the hand	Protected against solid foreign objects larger in diameter than 50mm	IP1x		IP10	IP11	IP12						
Protected against access to hazardous parts with a finger	Protected against solid foreign objects larger in diameter than 12,5mm	IP2x		IP20	IP21	IP22	IP23					
Protected against access to hazardous parts with a tool larger in diameter than 25mm	Protected against solid foreign objects larger in diameter than 2,5mm	IP3x		IP30	IP31	IP32	IP33	IP34				
Protected against access to hazardous parts with a wire larger in diameter than 1,0mm	Protected against solid foreign objects larger in diameter than 1mm	IP4x		IP40	IP41	IP42	IP43	IP44				
Protected against access to hazardous parts with a wire larger in diameter than 1,0mm	Prevents penetration of dust sufficient to cause damage inside the equipment	IP5x		IP50	IP51	IP52	IP53	IP54	IP55			
Protected against access to hazardous parts with a wire larger in diameter than 1,0mm	Dust proof	IP6x		IP60	IP61	IP62	IP63	IP64	IP65	IP66	IP67	IP68

Product Material Abbreviations

CR	Chloroprene rubber	PP	Polypropylene
FPM	Fluorelastomer	PVC	Polyvinylchloride
Ms	Nickel plated brass	PVDF	Polyvinylidenfluoride
NBR	Buna-N	SB	Styrene Butadiene
PA	Polyamide	VMQ	Silicone
PE	Polyethylene		

圆柱螺纹

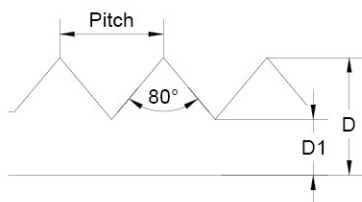
M 公制螺纹，螺纹代号 M，牙型角 60°，基本牙型为平顶
Metric ISO Thread Specifications



尺寸 Size	螺距 Pitch	外径 D Outside	内径 D1 Inside
M8×1	1	8	6.5
M10×1	1	10	8.5
M12×1.5	1.5	12	10.5
M20×1.5	1.5	20	18.5
M25×1.5	1.5	25	23.5
M32×1.5	1.5	32	30.5
M40×1.5	1.5	40	38.5
M50×1.5	1.5	50	48.5
M63×1.5	1.5	63	61.5
M72×2	2	72	70

PG 德制螺纹

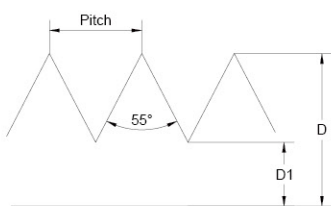
螺纹代号 PG，牙型角 80°，基本牙型为平顶。
PG Thread Specifications



尺寸 Size	螺距 Pitch	外径 D Outside	内径 D1 Inside
PG7	1.270	12.50	11.28
PG9	1.410	15.20	13.86
PG11	1.410	18.60	17.26
PG13.5	1.410	20.40	19.06
PG16	1.410	22.50	21.16
PG21	1.588	28.30	26.78
PG29	1.588	37.00	35.48
PG36	1.588	47.00	45.48
PG42	1.588	54.00	52.48
PG48	1.588	59.30	57.78

G 圆柱管螺纹

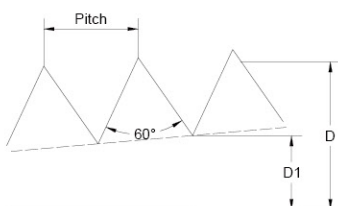
螺纹代号 G，牙型角 55°，基本牙型为圆顶圆底
British G (PF) Thread Specifications



尺寸 Size	螺距 Pitch	外径 D Outside	内径 D1 Inside
G1/4	1.337	13.157	11.445
G3/4	1.337	16.662	14.950
G1/2	1.814	20.955	18.631
G3/4	1.814	26.441	24.117
G1	2.309	33.249	30.910
G1 1/4	2.309	41.910	38.952
G1 1/2	2.309	47.803	44.845
G2	2.309	59.614	56.656

圆锥螺纹

NPT 圆锥管螺纹，螺纹代号 NPT，牙型角 60°，基本牙型为平顶，锥度 1 : 16
NPT Thread Specifications



尺寸 Size	螺距 Pitch	外径 D Outside	内径 D1 Inside
NPT1/4	1.337	13.157	11.445
NPT3/4	1.337	16.662	14.950
NPT1/2	1.814	20.955	18.631
NPT3/4	1.814	26.441	24.117
NPT1	2.309	33.249	30.910
NPT1 1/4	2.309	41.910	38.952
NPT1 1/2	2.309	47.803	44.845
NPT2	2.309	59.614	56.656

名称牌号	材料特性	应用
尼龙	PA6	根据产品的特性要求添加玻纤含量在 5-60% 的范围, 这类材料具有很好的强度、耐热性能、优良的抗冲击性能、良好的尺寸稳定性及低翘曲性等。
	PA66	具有优良的耐磨性、自润滑性, 机械强度高。
	PA6/PA66+GF	根据产品的特性要求添加玻纤含量在 5-60% 的范围, 这类材料具有很好的强度、耐热性能、优良的抗冲击性能、良好的尺寸稳定性及低翘曲性等。
黄铜	H59	黄铜的机械性能与其含锌量有关; H59 黄铜耐腐蚀能力较好; 具有高强度、硬度以及良好的塑性, 对于一般的腐蚀有良好的稳定性。
铝	6061-T6	具有加工性能极佳、优良的焊接特点及电镀性、良好的抗腐蚀性、韧性高及加工后不变形、材料致密无缺陷及易于抛光、上色膜容易、氧化效果极佳等优良特点。

表面处理 --- 黄铜镀镍说明:

1. 电镀是利用电源能将镍阳离子转换成金属镍沉积在阳极上; 黄铜镀镍是利用化学还原的方法, 将镍阳离子还原成金属镍并沉积在基体(黄铜)表面上, 赋予制品特殊的表面特性。例如: 赋予制品多种色彩、较强的耐腐蚀性/耐磨性, 镀层结晶细致、平滑光亮、内应力小、导电性能极佳。
2. 化学电镀是采用金属盐和还原剂, 在材料表面上发生自催化反应获得镀层; 黄铜镀镍是利用还原剂在活化零件(黄铜)表面上自催化还原沉积得到镀层。化学镀镍制品的主要特点是: 镀层厚度均匀, 致密性好、镀层附着力强、深度能力强、抗腐蚀性好。

乐清鸿祥连接器制造有限公司可以为您提供两种镀镍形式: 1 电镀、2 化学镀镍

备注: 化学镀镍仿真能力强, 能在复杂零件表面沉积, 深度能力强, 镀层厚度比电镀厚, 镀层烧氢后无起皮、镍泡等缺陷, 同时由于化学镀镍速度较慢, 对未镀产品表面处理要求较高, 成本相对电镀较高。

Name	Properties of Materials	Application
PA	PA6	Properties-glass fiber will be added in the range of 5-60%, depending on the requirement of the product. This material has very good strength, heat resistance, excellent shock resistance, good dimensional stable and low warping, etc.
	PA66	It has excellent wear resistance, self-lubrication, high mechanical strength.
	PA6/PA66+GF	Properties-glass fiber will be added in the range of 5-60%, depending on the requirement of the product. This material has very good strength, heat resistance, excellent shock resistance, good dimensional stable and low warping, etc.
Brass	H59	The mechanical properties of brass are due to its zinc content; H59 brass has good corrosion resistant ability, high strength, hardness and good plasticity and good stability for general corrosion.
Aluminium	6061-T6	6061 aluminum has excellent processing performance, excellent welding and electroplating characteristics, good corrosion resistance, high toughness, no deformation after processing, it is a dense material without defect, easy polishing, easy coloring film and good oxidation effects.

Surface treatment - notes for nickel plated brass:

1. The electroplating is a process that uses electric current to transform Nickel cation into metal nickel deposition on the anode; Nickel-plated brass is a process that uses chemical reduction to reduce Nickel cations into metal nickel deposition on the surface of the substrate (brass), giving the special surface properties to the products. For example: giving products a variety of colors, strong corrosion resistance/wear resistance, exquisite crystallization on coating, smooth and bright, small internal stress and good electroconductivity.
2. The electroless plating is a process that uses metal-salt and reducing agent to produce autocatalytic reaction on the material surface in order to obtain coating; Nickel-plated brass is a process that uses reducing agent to produce autocatalytic reduction deposition on activation parts (brass) surface in order to obtain coating. The main Properties of electroless nickel plated products are: well-distributed coating thickness, good compactness, coating adhesion, and plating depth capability.

Yueqing Hongxiang Connector Manufacturing Co., Ltd can provide you two kinds of nickel plating methods: 1. Electroplating、2. Electroless nickel plating

Note: Electroless nickel plating is much stronger by comparison. It bonds with the surface of complex parts, with strong depth capability, thicker coating than electroplating, no defects on the coating such as peeling, or nickel bubbling after the hydrogen burning. However, due to the slow speed, electroless nickel plating requires a better surface treatment of unplated products. So its cost is relatively higher than electroplating.

密封材料的选用

Selection of sealing materials



名称牌号	材料特性	应用
NBR 丁腈橡胶	丁腈橡胶是由丁二烯和丙烯腈橡胶经乳液聚合得的,丁腈橡胶主要采用低温乳液聚合生产,耐油性极好,耐磨性较高,粘接力强。其缺点是耐低温性差、耐臭氧性差,电性能低劣,弹性稍低。	丁腈橡胶主要用于制造耐油制品,如耐油管、胶带等,常用于制造各类耐油模压制品,如O形圈、油封、也用于制造胶板和耐磨零件。
EPDM 三元乙丙橡胶	三元乙丙橡胶最主要的特性就是其卓越的抗氧化、抗臭氧和抗侵蚀的能力。耐老化性能非常好、耐气候性好、电线绝缘性能好、冲击弹性较好。	主要应用于要求耐老化、耐水、耐腐蚀、电气绝缘的领域,如用于轮胎的浅色胎侧、汽车内胎、电缆、电线、门窗密封条、家用电器配件等。
硅橡胶	<ol style="list-style-type: none"> 1.高温性能:在200℃以上的高温环境下,硅橡胶仍能保持一定的柔韧性、回弹性和表面硬度,且力学性能无明显变化。 2.低温性能:硅橡胶的玻璃化温度为-70~-50℃,特殊配方可达到-100℃。 3.电气性能:硅橡胶具有优异的绝缘性能,耐电晕性和耐电弧性好。 4.物流机械性能:硅橡胶常温下的物理机械性能比通用橡胶差,但在150℃的高温下和-50℃的低温下,其物理机械性能优于通用橡胶。 5.耐油及化学试剂性:普通硅橡胶具有中等的耐油、耐溶剂性能。 	硅橡胶密封件在极限温度及压力下,有良好的适用性。
氟橡胶	<ol style="list-style-type: none"> 1.化学稳定性:氟橡胶具有高度的化学稳定性。26型氟橡胶耐石油基油类、双酯类油、硅醚类油、硅酸类油,耐无机酸,耐多数的有机酸、无极溶剂、药品等。 2.耐高温性优异:氟橡胶的耐高温性能和硅橡胶一样,26型氟橡胶在250℃下可长期使用。 3.耐老化性能好:26型氟橡胶具有极好的耐老化性能,耐臭氧性能。在自然存放十年之后性能仍然令人满意。 4.真空性能极佳:26型氟橡胶具有极好的真空性能。 5.机械性能优良:26型氟橡胶在高温下的压缩永久变形小,在150℃下的同等时间的压缩永久变形来比较,丁腈橡胶和氯丁橡胶均比26型氟橡胶要大。 6.透气性小:26型氟橡胶在30℃下对于氧、氮、氩、二氧化碳气体的透气性和丁腈橡胶相当,比氯丁橡胶要好。 	垫圈使用:能耐油并酸气,胺基类化合物等多种高浓度强腐蚀性介质应用于化工场所,航天航空的控制和燃料系统的航空液压缩、喷气燃料、高温润滑油的密封。应用领域:航天航空、化工、油田、半导体制造。

Name	properties of Materials	Application
NBR	This sealing ring is black and made from nitrile rubber.It has excellent oil resistance.Good physical properties.However,the NBR lip seal should not be used where there is a risk of temperatures above 80°C.NBR is not resistance to solvents,also the flexibility is not good.	Nitrile rubber is commonly used in the manufacture of various oil-resistant molded products, such as O-ring, Oil seal and Rubber or other wear-resistance parts.
EPDM	This sealing ring is made of ethylene propylene diene monomer.The most important feature is its superior resistance to oxidation, ozone and erosion. Anti-aging performance, wire insulation and impact elasticity are very good	Mainly used for aging resistance, water resistance, corrosion resistance, electric insulation field, such as automobile inner tube, cable wire, household electrical accessories, etc.
Silicone	<ol style="list-style-type: none"> 1.High temperature:200℃ high temperature environment,silicone rubber can still maintain a certain degree of flexibility,elasticity and hardness,and no significant changes in mechanical properties. 2.Low temperature:silicone rubber glass transition temperature -70~-50℃,special formulations could reach -100℃. 3.Electrical performance:silicone rubber has excellent insulating properties,corona resistance and good arc resistance. 4.Physical and mechanical properties:mechanical properties of silicone rubber is not as good as common rubber at normal temperature,But it's much better than common rubber at 150℃ high temperature and the low temperature of -50℃. 5.Oil and chemical resistance:ordinary silicone is with moderate oil resistance and solvent resistance. 	Excellent high and low temperature properties.Fair physical properties.
FKM/FPM/VITON	<ol style="list-style-type: none"> 1.Chemical stability:FPM has good chemical stability.26 fluoro rubber resistant to petroleum base oils and diester oils,silicon oil silicate,inorganic acid-resistant,resistant to most organic and inorganic solvents,chemicals,etc. 2.Excellent temperature resistance:Just like silicone rubber,26 FPM can be used for a long time in 250℃ high temperature. 3.26 FPM has excellent resistance to aging,and ozone-resistant properties.The performance remains satisfactory after storage for ten years. 4.26 FPM has excellent vacuum performance. 5.It has good mechanical properties:26 FPM will deform permanently at under 150℃ compared with 26 FPM,the deformation of Nitrile rubber and neoprene are larger. 6.Moderate Permeability:Permeability of 26 FPM for oxygen,nitrogen,helium,carbon dioxide gas is nearly same as that of nitrile-butadiene rubber at 30℃,but better than that neoprene. 	FPM washer is mainly used in oil acid,amino compounds and other places with a high concentration of corrosive media.It is used in the chemical industry,aviation aerospace control and fuel systems hydraulic oil,jet fuel and high temperature lubricating oil sealing.Also used by aerospace,chemical,oil,semiconductor manufacturing.